

TACHIT®

Instructions for Model SL3 Manual Definite Length Tape Dispenser.

Please Note: The Model SL3 has a very sharp blade. Keep all fingers, hands, clothing, jewelry and any loose article of clothing away to avoid injury.

- 1) Place the Model SL3 onto a clean, dry and flat surface.
- 2) Place the roll of Tape onto the Tape Spool Holder located at the back of the machine. When the end of the tape is pulled it must come towards the front of the machine. See Figure 1

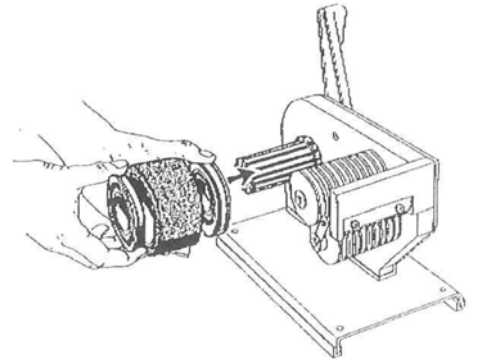


Figure 1

- 3) Adhere the tape to the Top Knurled Roller on the machine. See Figure 2

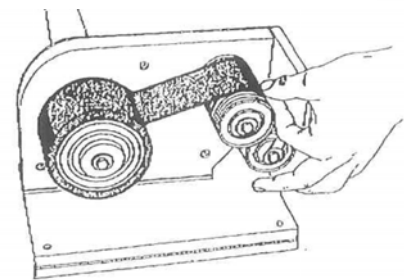


Figure 2

- 4) Locate the Lever on the left side of the machine. Slowly begin pulling down on the Lever as the operator guides the tape around the Knurled Roller under the Pressure Roller and through the opening located at the front of the machine. Please note that the Blade is located at the top of the opening at the front of the machine and be careful not to get cut. See Figure 3

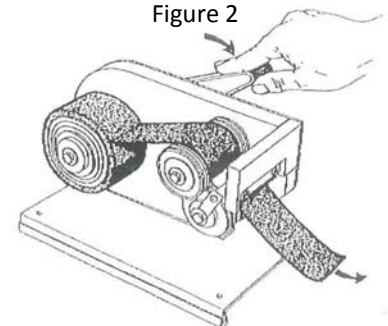


Figure 3

- 5) Once the tape is loaded and threaded through the front of the machine, the machine is ready for use.
- 6) To use the machine, set the Lever to the desired length of tape to be fed. See Figure 4. This is done by loosening the Thumb Screw, adjusting the Lever to the desired position on the scale and then tightening the Thumb Screw. With each pull of the Lever the desired length will be fed out.
- 7) To cut the tape, pull it up against the Blade located at the top of the opening at the front of the machine.

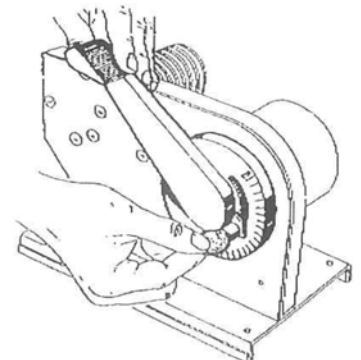


Figure 4

Ben Clements and Sons, Inc.

50 Ruta Court, South Hackensack, New Jersey 07606 USA

Tel: 201-440-5500 Fax: 201-440-1455 Email: sales@tach-it.com Web: www.tach-it.com