

Portable Labeler Manual

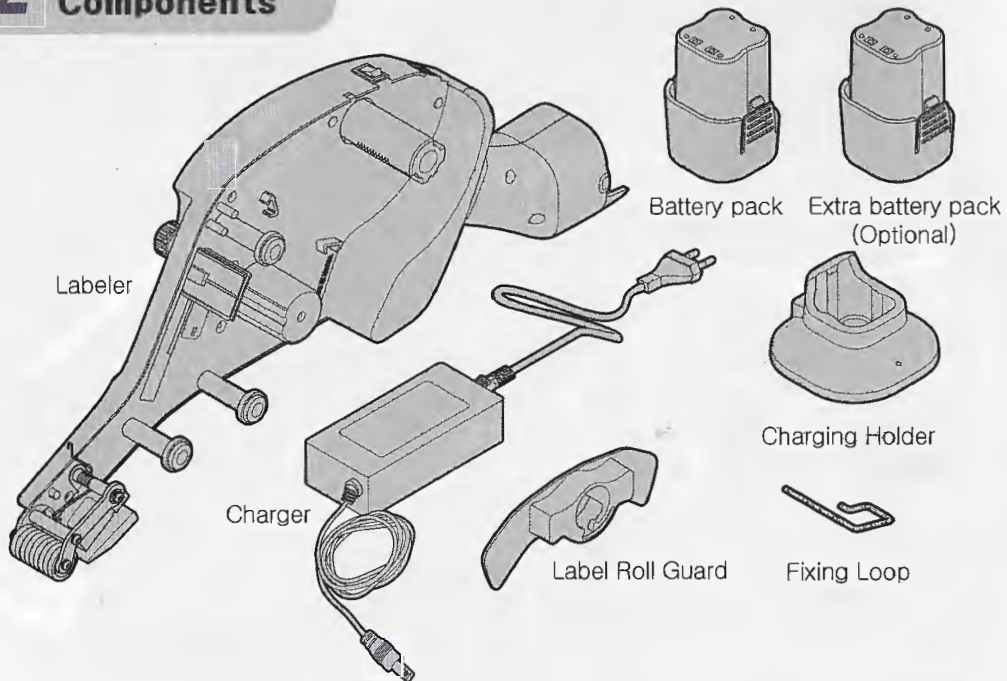
*Labeling..
Anyone can do fast and easy!*



1 Specifications

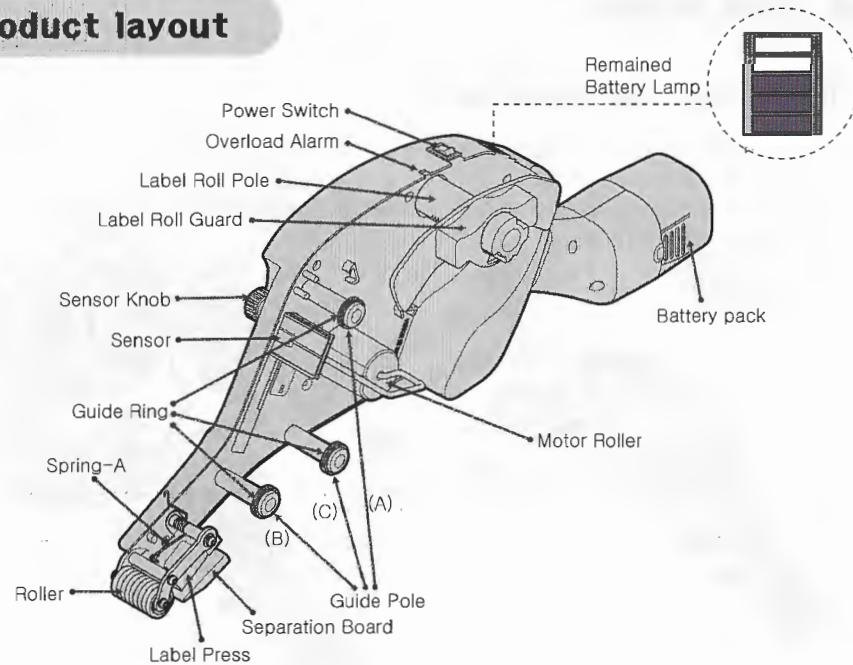
Product	Portable Labeler
Size and weight	(WxLxH) 145*420*82 mm / 760 g (Battery pack included)
Usable	Label roll Diameter (max) 120 mm / Core (min) 25 mm / Width (max) 29 mm
	Label Width 8~29 mm (*Refer to the label roll's width)/ Length 15~60 mm
Battery pack	<ul style="list-style-type: none"> - Type: Lithium-Ion battery / Capacity: 2600 mAh / Voltage: 14.8V - Duration: About 8 hours (*It may differ depending on the working condition.) - Weight: 217 g
Charger	Input: AC 100~240 V, 50/60Hz / Output: DC16.8V, 2A
Charging holder	Exclusive for the label click's battery pack / Blue lamp is on when charging 80%

2 Components



Portable Labeler

3 Product layout



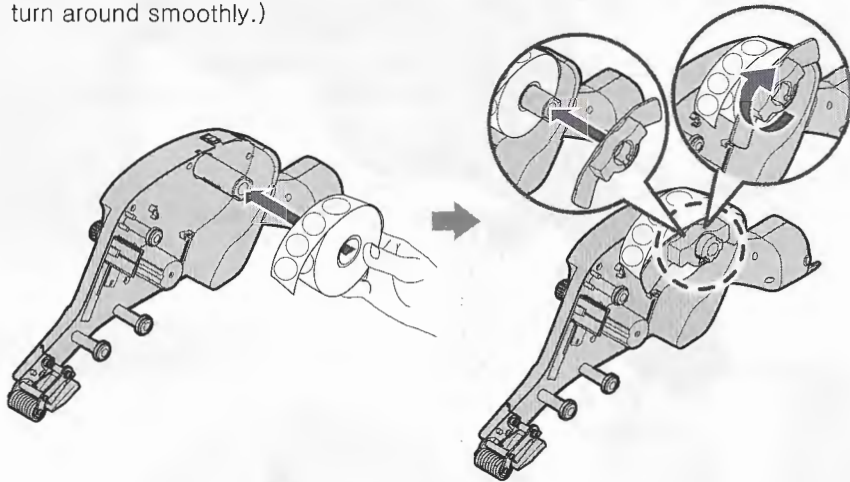
4 Caution (!)

- Make sure the power switch is turned off when not in use.
(If the power switch is turned on, the battery runs out even when not in use.)
- If you don't use the labeler for a long time, turn off the power switch after fully charging or detach the battery from the main body, and then store it.
(Even though the over-discharge protection circuit is built in the battery pack, it may not be charged after completely discharging due to the long term disuse.)
- Be careful not to fall any material in the charging holder when the charger is connected while turning on the power switch.

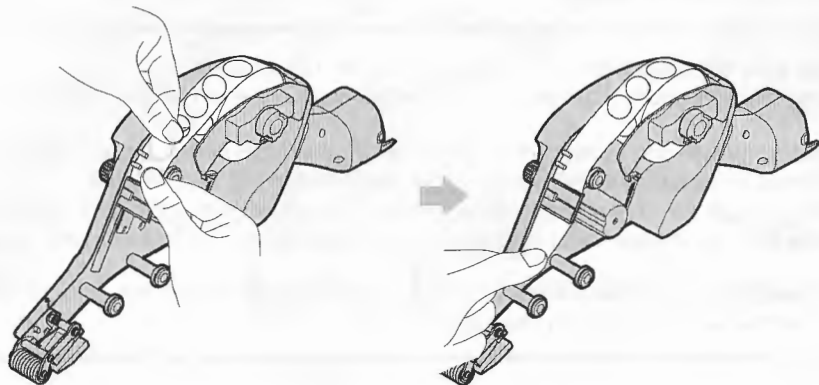
5 How to use

1) Installing the label roll

- ① Put a label roll into the “label roll pole”, and then install and turn the “label roll guard” to the right to hold.
(If you fix the label roll too strong, it may be overloaded. Make some space to turn around smoothly.)

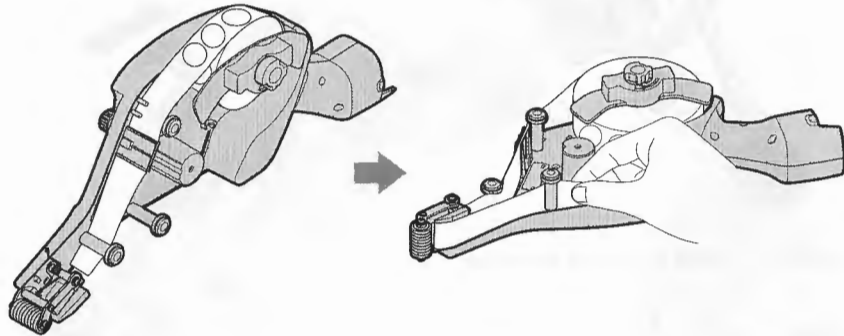


- ② Remove some labels (about 170 mm) and pass the label between the “guide pole-A” and two little poles, and then through the “sensor”.
(If you don't remove some labels at the end of the label roll, it's hard to take out the labels from the “motor roller”.)

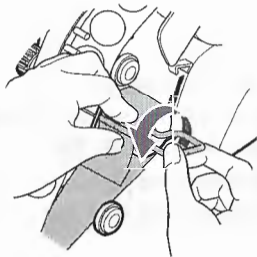
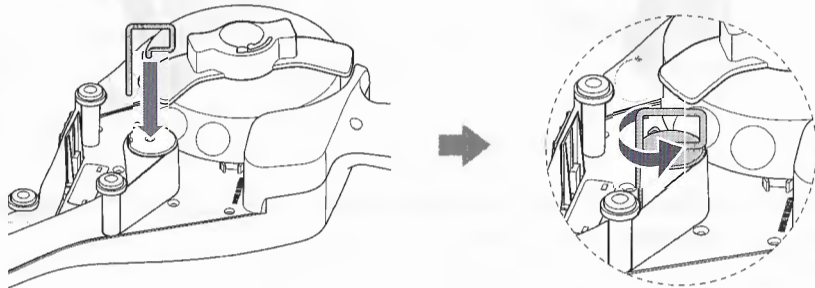


Portable Labeler

- 3 Pass the label below the “guide pole-B”, and between the “Label Press” and the “Separation Board”, and then above the “guide pole-C”.

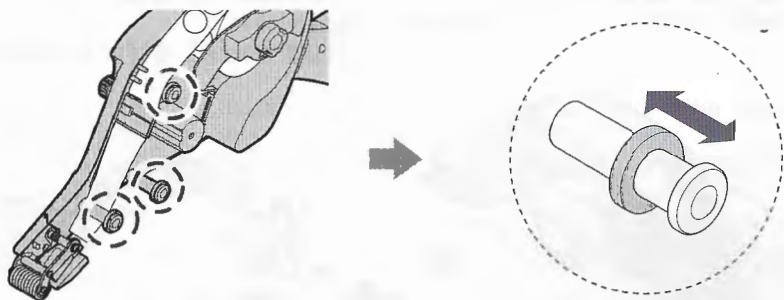


- 4 Roll the label around the motor roller and fix it with the “fixing loop”, and turn it once counterclockwise. Be careful not to twist the label.

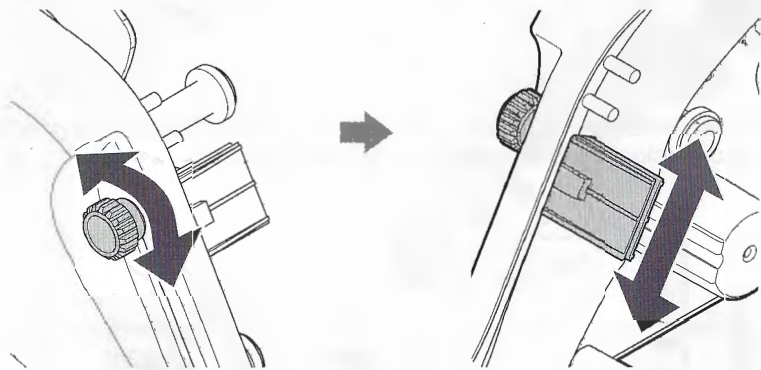


Hold and turn the label and the “fixing loop” together with two hands as the label may slip out if you hold and turn only the “fixing loop” at the first time.

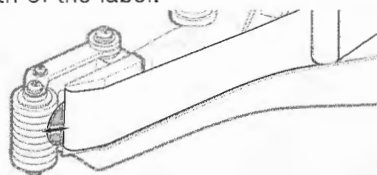
- ⑤ Adjust the “guide ring” on the “guide pole-A, B, C” properly to the label’s width.



- ⑥ Adjust the output length of the label.



- Turn on the power switch and operate the labeler once (by lifting up the roller) to check the output length of the label.



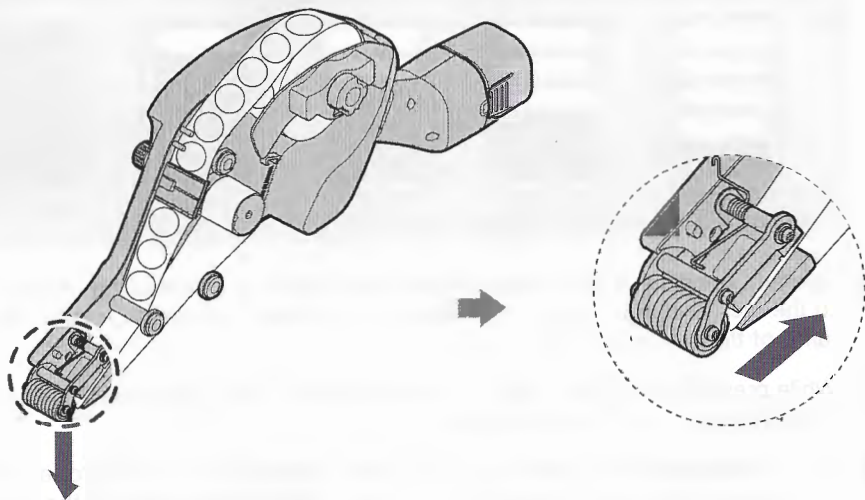
Output length of the label

- If the label is short or long, loosen the “sensor knob” and move the sensor forward (for short) or backward (for long), and then fasten the “sensor knob” to fix.
(The output length of the label depends on how much you move the sensor. The proper length is 2~5 mm longer from the Separation Board, but you can adjust the proper length according to the work.)

Portable Labeler

2) Labeling

Hold the labeler and place the “roller” on the surface that you want to stick a label. And press and move the labeler.



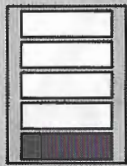
- Be careful not to press the labeler too strong when you stick a label.
- Keep the surface and the “roller” parallel when you stick a label.
- Stick a label naturally according to the speed of the output label.
(If you just press or stick too late, the label may be folded or slipped out from the line.)
- The more label is coiled around the “motor roller”, the longer label comes out and the output speed of the label gets faster. If you have any trouble with this, please remove the coiled label and then use.

3) Removing the label

- 1 Pull out the “fixing loop”.
(You may easily remove the label when you remove the fixing loop first.)
- 2 Remove the coiled label from the “motor roller”.

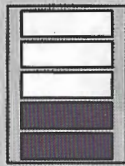
4) Charging

Check the remained battery on the "Remained Battery Lamp" before charging.

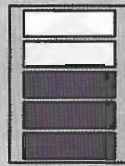


Below 20%

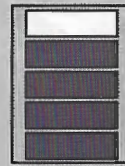
(Charging needed)



20~40%



40~60%



60~80%



Over 80%

- 1 Connect the plug of the charger to an outlet, and then connect the charger adapter to the "charging holder". (The green lamp of the charger is on, and the blue lamp of the charging holder is on.)
- 2 While pressing the bumpy parts on the rear side of the "battery pack", detach the "battery pack" from the main body.
- 3 Secure the detached "battery pack" into the charging holder with proper direction. (The green lamp of the charger turns into red, and the blue lamp of the charging holder turns into red when it starts charging.)
- 4 When the charging level is 80 %, the red lamp of the charging holder turns into blue. (If you don't detach the "battery pack" from the charging holder, it keeps charging.)
- 5 When the charging level is over 90 %, the red lamp of the charger turns into green (while the blue lamp of the charging holder is on).
- 6 Detach the "battery pack" after charging and attach it to the main body of the labeler to use.



- Avoid using in hot and humid places, and use indoor.
- You can't charge in following conditions.
 - : When the connection is not right
 - : When the battery is broken or completely discharged
- Do not disassemble the "battery pack" arbitrarily.
- Use only the exclusive charger for this labeler.
- Do not make short circuit of the terminal of the "charging holder" and the "battery pack".

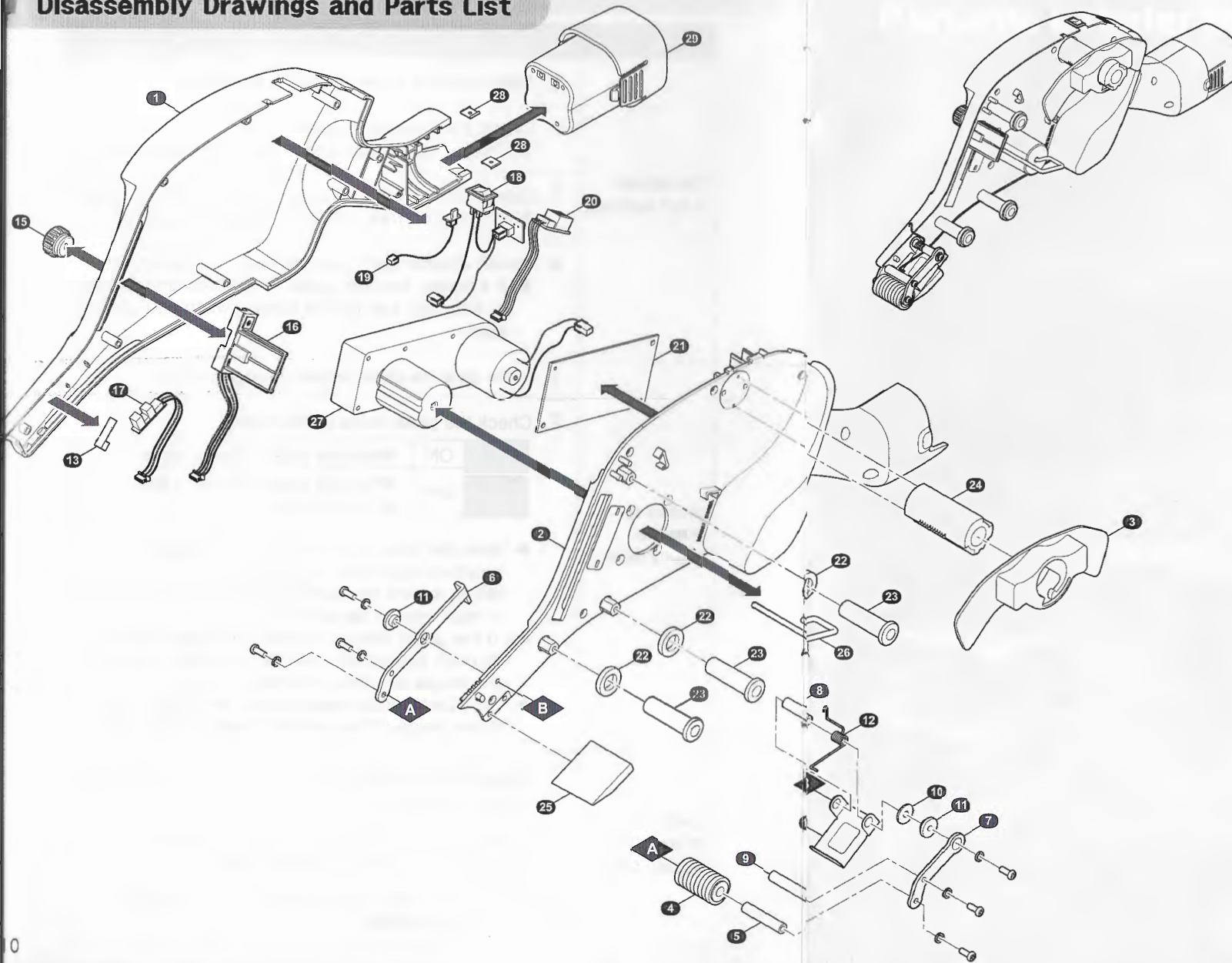
Portable Labeler

6 Troubleshooting

Problem	Solution						
The labeler is not working.	<ol style="list-style-type: none"> 1. Make sure the power switch is turned on. 2. Check the remained battery. <ul style="list-style-type: none"> ▶ Charge the battery if necessary, and then use. 3. Check the “roller” if it moves up and down properly. <ul style="list-style-type: none"> ▶ If it doesn’t move properly, please contact us. 4. Check whether the “overload alarm” blinks or not. <ul style="list-style-type: none"> ▶ If it blinks, find the cause of overload and remove it. And then turn off the power switch and turn on again. 						
Unable to stop the output label.	<ol style="list-style-type: none"> 1. Make sure the label passes through sensor. 2. Check the green lamp of the sensor. <table border="1" data-bbox="359 902 947 1003" style="margin-left: 20px;"> <tr> <td style="background-color: #cccccc; width: 30px;"></td> <td style="width: 30px;">ON</td> <td>When the label is on the sensor</td> </tr> <tr> <td style="background-color: #cccccc; width: 30px;">Normal</td> <td>OFF</td> <td>When the paper without a label is on the sensor</td> </tr> </table> <ul style="list-style-type: none"> ▶ Make the lamp is in normal by adjusting the sensitivity controller on the sensor. (When turning the sensitivity controller clockwise = High level of sensitivity) ex) If the green lamp is off when the label passes through the sensor, turn the sensitivity controller clockwise at a time until the lamp is on. ▶ If the green lamp keeps turned on continuously, check inside of the sensor if there is any material. 		ON	When the label is on the sensor	Normal	OFF	When the paper without a label is on the sensor
	ON	When the label is on the sensor					
Normal	OFF	When the paper without a label is on the sensor					
Unable to charge the battery pack	<ol style="list-style-type: none"> 1. Check if the “battery pack” secures into the charging holder completely. 2. Check if there is any material in the terminal of the charging holder and the battery pack. 3. Check if the plug or the adapter of the charger is connected properly. 						

Portable Labeler

Disassembly Drawings and Parts List



No.	Parts Name
1	BODY-A
2	BODY-B
3	LABEL GUARD
4	ROLLER-30
5	ROLLER AXLE-30
6	ROLLER ASSY-A30
7	ROLLER ASSY-B30
8	ROLLER ASSY-C30
9	ROLLER ASSY-D30
10	ROLLER ASSY-E
11	ROLLER ASSY-F
12	SPRING-A
13	SPRING-B
14	LABEL PRESS
15	SENSOR KNOB
16	HARNESS-A(MAIN SENSOR)
17	HARNESS-B(S-SENSOR)
18	HARNESS-C(POWER)
19	HARNESS-D(RE D LED)
20	HARNESS-E(BAR LED)
21	PCB
22	GUIDE RING
23	GUIDE POLE
24	LABEL ROLL POLE-30
25	Separation Board-30
26	FIXING LOOP-30
27	MOTOR-30
28	CLIP
29	BATTERY PACK