

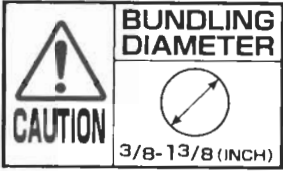

TABLE OF CONTENTS

SECTION 1	CAUTIONS:
SECTION 2	PREPARATION OF OPERATION:
SECTION 3	ADJUSTING FOR TYING DIAMETER:
SECTION 4	LOADING THE TWIST TIE RIBBON:
SECTION 5	OPERATION OF THE MACHINE:
SECTION 6	ADJUSTING THE ENDS OF THE TIES:
SECTION 7	CHANGING THE TWIST TIE RIBBON SPOOLS:
SECTION 8	TROUBLE-SHOOTING:
SECTION 9	REMEDIES:
SECTION 10	MACHINE SPECIFICATIONS:
SECTION 11	PARTS LISTS:

SECTION 1 – CAUTIONS:

- 1) BEFORE OPERATING THE MACHINE, READ THE COMPLETE INSTRUCTION MANUAL.
- 2) NEVER HAVE THE POWER CORD OF THIS MACHINE PLUGGED INTO THE POWER SOURCE WHEN ANY COVERS OF THIS MACHINE HAVE BEEN REMOVED. THIS MAY RESULT IN ELECTRICAL SHOCK.
- 3) INSTALL AND OPERATE THIS MACHINE ON A FLAT, LEVEL, AND DRY SURFACE. UNSTABLE SURFACES MAY CAUSE THE MACHINE TO FALL OFF THE SURFACE AND DAMAGE THE MACHINE.
- 4) USE ONLY THE SPECIFIED ELECTRICAL POWER INPUT WITH THIS MACHINE.
- 5) ALWAYS KEEP HANDS, CLOTHING, JEWELRY, AND HAIR AWAY FROM ALL MOVING PARTS OF THIS MACHINE. ALSO, KEEP THE SIDES OF THE MACHINE CLEAR FOR VENTILATION AND SAFETY.
- 6) DO NOT OPERATE THIS MACHINE WITHOUT THE TWIST TIE MATERIAL IN ITS PROPER FEEDING POSITION.
- 7) KEEP THIS MACHINE CLEAN AND DRY AT ALL TIMES. DO NOT WASH MACHINE AS DAMAGE WILL RESULT IN THE ELECTRICAL COMPONENT. ALSO, IF THIS MACHINE IS BEING USED IN A HIGH HUMIDITY ENVIRONMENT, MAKE SURE MACHINE IS PROPERLY GROUNDED.
- 8) FOR BEST RESULT, USE ONLY TWIST TIE RIBBONS MEETING TACH-IT'S SPECIFICATIONS AND STANDARDS. ANY DAMAGE CAUSED TO THE MACHINE BY NOT USING A RIBBON MEETING THE MANUFACTURER'S SPECIFICATIONS AND STANDARDS MAKES THE WARRANTY NULL AND VOID. SAMPLES OF RIBBON CAN BE SENT TO THE MANUFACTURER FOR APPROVAL.
- 9) NEVER INSERT AN OBJECT OF A LARGER DIAMETER THAN THE DIAMETER OF THE MOVABLE JAWS ARE SET FOR. THIS MAY CAUSE DAMAGE TO THE OPERATOR AND THE MACHINE.
- 10) NEVER USE THE MACHINE IN A COMBUSTIBLE ATMOSPHERE, AN EXPLOSIVE ENVIRONMENT, OR IN ANY LOCATION WHERE THERE IS ANY TYPE OF FLAMMABLE GAS. FIRE OR EXPLOSION MAY RESULT.
- 11) TURN POWER OFF AND DISCONNECT POWER CORD WHENEVER SERVICE OR ADJUSTMENTS ARE DONE TO THE MACHINE.
- 12) DO NOT MODIFY THE MACHINE.
- 13) DO NOT USE THIS MACHINE IN ANY LOCATION WHERE THE TEMPERATURE EXCEEDS 40 DEGREES CELSIUS.
- 14) SERVICE ON THIS MACHINE SHOULD BE ONLY PERFORMED BY FACTORY TRAINED AUTHORIZED SERVICE PERSONNEL.
- 15) NEVER USE THIS MACHINE FOR OTHER THAN ITS INTENDED APPLICATIONS. USE OF THE MACHINE ON UNINTENDED APPLICATIONS CAN CAUSE HARM TO THE OPERATORS, THE MACHINE, AND THE PRODUCT, PLEASE CONTACT THE MANUFACTURER IF THERE IS ANY QUESTIONS TO WHETHER THIS MACHINE CAN BE USED FOR A PARTICULAR APPLICATION.

16) FOLLOWING CAUTION LABELS ARE ATTACHED ON EACH POSITION DESIGNATED.

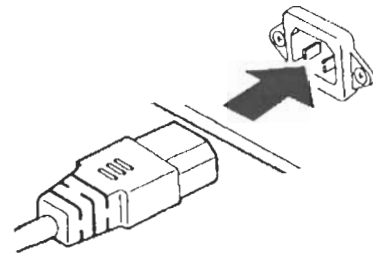
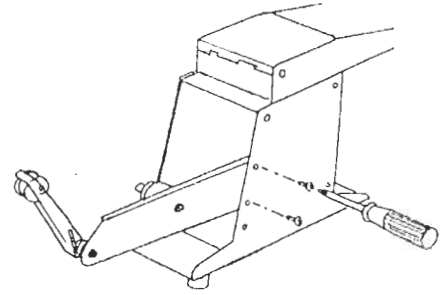
CAUTION LABEL	POSITION	MEANING
	<p>THIS LABEL IS ATTACHED NEAR BY MOVABLE JAWS.</p>	<p>IT INDICATES THAT MIN. AND MAX. BUNDLING DIAMETER AVAILABLE IN THIS MACHINE.</p>
	<p>THIS LABEL IS ATTACHED ON UPPER COVER.</p>	<p>IT INDICATES A CAUTION NOT TO OPERATE THIS MACHINE WHILE UPPER COVER IS OPEN. (THIS MACHINE IS DESIGNED TO CUT OFF ELECTRICITY WHEN THE COVER IS OPEN.)</p>

SECTION 2 – PREPARATION FOR OPERATION:

INSTALLATION OF PARTS:

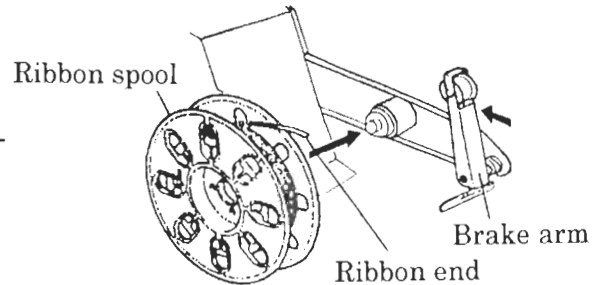
- 1) INSERT SPOOL HOLDER ARM INTO THE MAIN BODY AND FIX WITH 2 SCREWS ENCLOSED.
- 2) CONNECT POWER SUPPLY CORD TO PLUG SOCKET LOCATED ON THE SIDE OF THE MAIN BODY.

APPLIANCE INLET SERVES AS DISCONNECT DEVICE. AFTER INSTALLATION OF THE EQUIPMENT, THE APPLIANCE INLET HAS TO BE EASILY ACCESSIBLE.

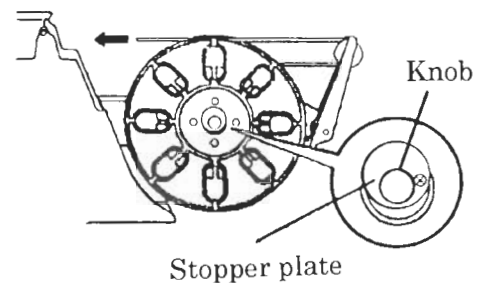


INSTALLATION OF RIBBON SPOOLS :

- 1) PUSHING THE BRAKE ARM IN THE DIRECTION OF THE ARROW, SET THE SPOOL OF RIBBON ONTO THE MANDREL LOCATED ON THE SPOOL HOLDER ARM. WHEN PUTTING SPOOL ON THE MANDREL, MAKE SURE AS THE RIBBON IS PULLED FROM THE SPOOL, THE SPOOL IS TURNING CLOCKWISE AND THE FREE END IS GOING TOWARDS THE PULLEY ON THE BRAKE ARM.

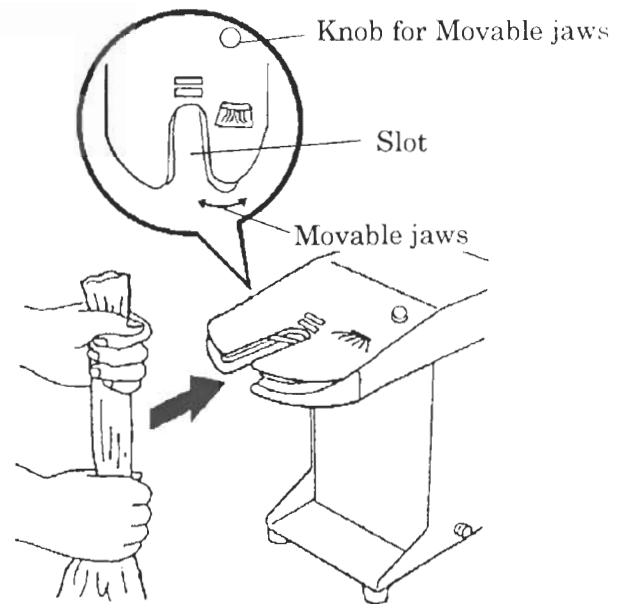


- 2) TO SECURE THE SPOOL ON THE MANDREL SLIDE THE STOPPER PLATE UPWARD AS IN THE FIGURE AND TIGHTEN THE THUMB SCREW SECURING THE SPOOL.



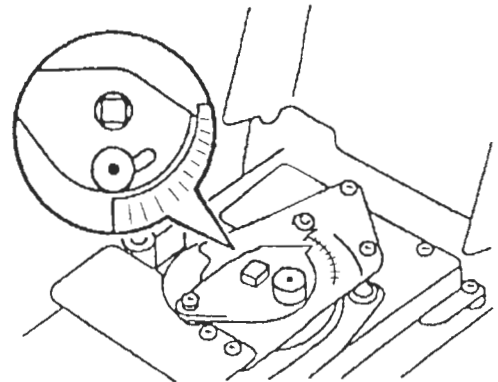
SECTION 3 – ADJUSTING FOR TYING DIAMETER:

- 1) LOOSEN THE KNOB FOR THE MOVABLE JAWS AND OPEN THEM UP ALL THE WAY BY SLIDING THE KNOB TOWARDS THE RIGHT IN THE DIRECTION OF THE #35 ON THE SCALE.



- 2) SECURELY HOLD THE PRODUCT TO BE TIED AND INSERT IT ALL THE WAY INTO THE SLOT. IN THE CASE OF A BAG, TWIST THE NECK OF THE BAG THE WAY IT WOULD BE DONE IN PRODUCTION AND INSERT IT INTO THE SLOT WHILE TWISTED.

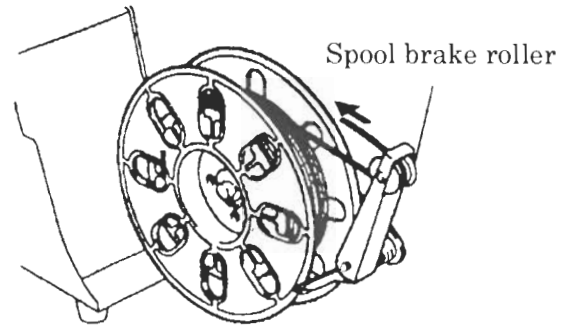
- 3) HOLDING THE KNOB FOR MOVABLE JAWS, SLIDE THE KNOB TO THE LEFT UNTIL THE JAWS CLOSE TO A POSITION SLIGHTLY LARGER THAN THE PRODUCT THAT IS INSERTED INTO THE SLOT. ONCE THIS IS DONE, TIGHTEN THE KNOB. NOTE THE NUMBER ON THE SCALE THAT MATCHES TO THE DIAMETER YOU HAVE SET THE OPENING TO.



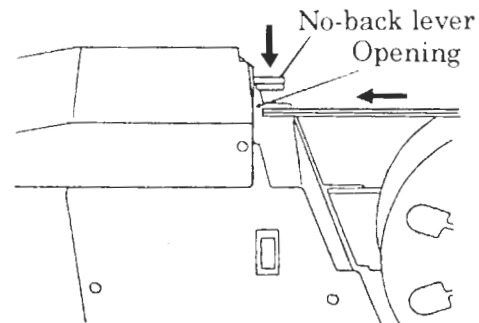
- 4) LIFT THE UPPER COVER UP AND LOCATE THE RIBBON FEED ADJUSTING PLATE. LOOSEN THE THUMB SCREW SLIGHTLY AND MOVE THE PLATE SO THAT THE SCALE READS THE SAME AS THE SCALE FOR THE MOVABLE JAWS. TIGHTEN THE THUMB SCREW.

SECTION 4 – LOADING THE TWIST TIE RIBBON :

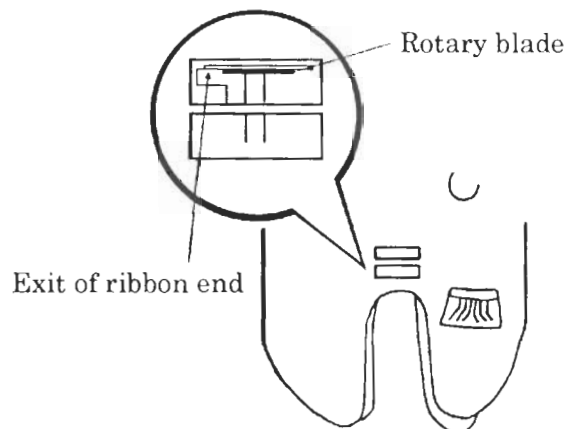
- 1) THREAD THE RIBBON TOWARDS THE REAR OF THE MACHINE, THROUGH THE SPACE UNDER THE SPOOL BRAKE ROLLER, AROUND THE SPOOL BRAKE ROLLER, AND THROUGH THE SPACE AT THE TOP OF THE ROLLER. PER THE FIGURE.



- 2) FEED THE RIBBON TO THE REAR OF THE MACHINE. PUSHING THE NO-BACK LEVER TOWARDS THE RIGHT SIDE OF THE MACHINE, INSERT AND THREAD THE RIBBON INTO THE OPENING > NOTE IF THE RIBBON IS CURVING DUE TO THE WINDING FROM THE SPOOL, THREAD THE RIBBON SO THE CURVE GOES TO THE OUTSIDE OF THE MACHINE.

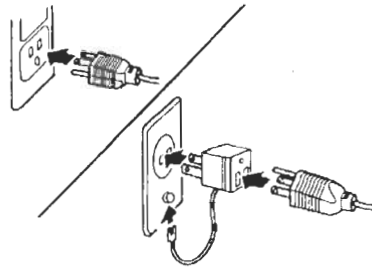


- 3) THREAD THE RIBBON UNTIL IT COMES THROUGH THE ROTARY CUTTER APPROXIMATELY 1/4 TO 1/2 INCH. RELEASE THE NO-BACK LEVER . ON THE 1ST CYCLE OF THE MACHINE AFTER THE RIBBON IS FED, THE RIBBON MAY NOT BE FED TO THE PROPER LENGTH, BUT IT WILL ON ALL OTHER CYCLES AFTER THAT.

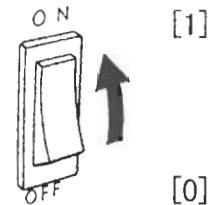


SECTION 5 – OPERATION OF THE MACHINE:

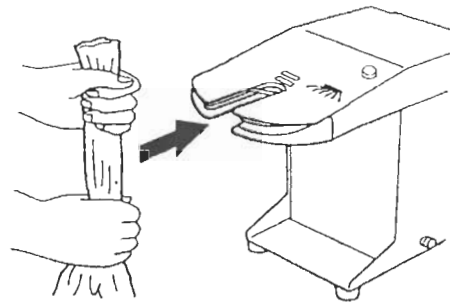
- 1) PLUG THE POWER CORD INTO THE MACHINE, AND THEN PLUG IT INTO A PROPERLY GROUNDED OUTLET OF THE SAME VOLTAGE AS THE MACHINE.



- 2) TURN THE ON/OFF SWITCH LOCATED ON THE SIDE OF THE MACHINE TO THE ON POSITION.
N.B. [1]: ON [0]: OFF



- 3) SQUEEZING THE NECK OF THE BAG OR THE PRODUCT TO BE TIED, HOLD THE BAG SECURELY AND INSERT IT ALL THE WAY INTO THE SLOT OF THE MACHINE. WAIT FOR THE TIE TO BE COMPLETED, AND THEN REMOVE THE BAG OR PRODUCT FROM THE SLOT. THE MACHINE IS NOW READY FOR THE NEXT TIE.

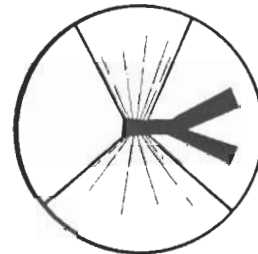


NOTE: DO NOT INSERT A BAG OR PRODUCT THAT IS BIGGER THAN THE DIAMETER SET AT THE MOVABLE JAWS. IF THIS IS DONE, DAMAGE TO THE MACHINE, OPERATOR, AND/OR PRODUCT MAY RESULT.

SECTION 6 – ADJUSTING THE ENDS OF THE TIE:

ENDS OF THE TIE ARE DIFFERENT LENGTHS (ASYMMETRICAL):

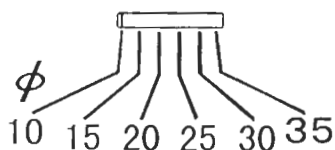
IF IT IS DESIRED THAT THE ENDS OF THE TIE ON THE BAG ARE DIFFERENT LENGTHS THAN SET THE RIBBON FEED ADJUSTABLE PLATE TO A LARGER GRADUATION AS THE MOVABLE JAWS HAVE BEEN SET TO. GRADUATIONS CAN BE FOUND BY THE ADJUSTING SCREW.



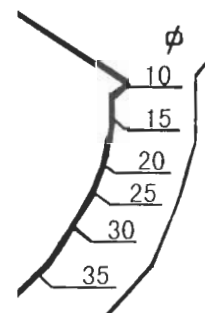
IF THE ENDS OF RIBBON ARE STILL TO CLOSE TO EACH OTHER IN LENGTH THAN MOVE THE RIBBON FEED ADJUSTABLE PLATE TO A LONGER SETTING AND TRY AGAIN.

EXAMPLE:

IF THE OUTER DIAMETER OF THE NECK OF A BAG IS 10mm, THE MOVABLE JAWS SHOULD BE SET TO 10mm AND THE RIBBON FEED ADJUSTABLE PLATE SHOULD BE SET TO 15mm OR SLIGHTLY LARGER.



graduation of bundling diameter



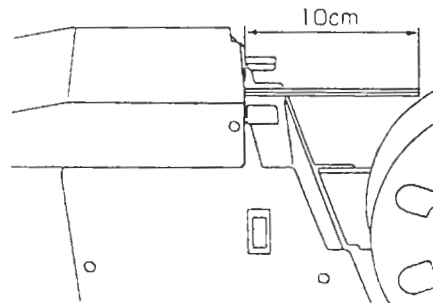
graduation of Ribbon feed adjustable plate

NOTE : LENGTH OF RIBBON FEED MAY DIFFER SLIGHTLY DEPENDING ON THE KIND OF RIBBON BEINGT USED ON THE MACHINE.

ONE CAUSE OF THE MACHINE MISTYING IS IF THE RIBBON FEED ADJUSTABLE PLATE IS SET MUCH SMALLER THAN THE PRODUCT TO BE TIED, SO THERE IS NOT ENOUGH RIBBON TO COMPLETE THE TIE. IF THIS SHOULD HAPPEN, RESET THE RIBBON FEED ADJUSTABLE PLATE TO THE PROPER SETTING.

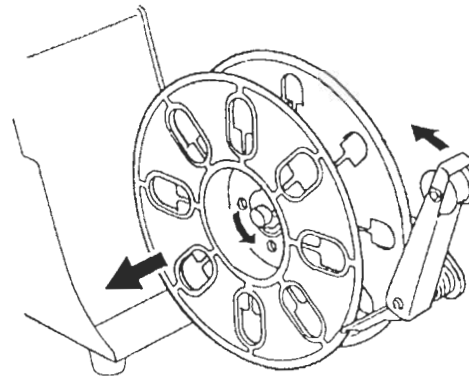
SECTION 7 – CHANGING TWIST TIE RIBBON SPOOLS:

- 1) IT IS BEST TO CHANGE THE SPOOL OF TWIST TIE RIBBON WHEN THERE IS ABOUT 3" OF MATERIAL REMAINING OUTSIDE THE MACHINE. TO REMOVE THE TWIST TIE MATERIAL, PUSH THE NO-BACK LEVER TO THE RIGHT AND PULL THE RIBBON OUT TOWARDS THE REAR OF THE MACHINE.



NOTE : IT IS IMPORTANT TO NOT ALLOW THE LOOSE END OF THE RIBBON TO ENTER THE MACHINE AS IT MAY BECOME LODGED AND INTERFERE WITH THE OPERATION OF THE MACHINE.

- 2) LOOSEN THE KNOB ON THE STOPPER PLATE FOR THE SPOOL, SWIVEL IT OUT OF THE WAY, AND REMOVE THE USED SPOOL.
- 3) INSTALL AND LOAD A NEW SPOOL OF MATERIAL PER THE INSTRUCTIONS IN THIS MANUAL.



SECTION 8 – TROUBLE-SHOOTING:

IT IS VERY IMPORTANT THAT BEFORE ANY SERVICE OR ADJUSTMENTS BE ATTEMPTED ON THIS MACHINE THAT THE ON/OFF SWITCH IS IN THE OFF POSITION AND THAT THE POWER COAD IS REMOVED FROM THE MACHINE AND THE POWER OUTLET.

CONDITION	CAUSE	REMEDY
MACHINE DOES NOT CYCLE EVEN THOUGH THE ON/OFF SWITCH IS IN THE ON POSITION.	UPPER COVER IS NOT COMPLETELY CLOSED.	CLOSE UPPER COVER AND VERIFY THAT SAFETY SWITCH ON THE SIDE IS DEPRESSED BY THE COVER.
MACHINE IS MISSING TIES.	1) RIBBON IS TANGLED IN MACHINE. 2) RIBBON FEED IS ADJUSTED TO SHORT FOR THE ITEM TO BE TIED. 3) RIBBON IS NOT THREADED CORRECTLY OR IS NOT COMING OFF THE SPOOL EASILY.	1) REMOVE THE PIECE OF TANGLED RIBBON. 2) LENGTHEN RIBBON FEED BY ADJUSTING THE RIBBON FEED ADJUSTING PLATE. 3) RETHREAD RIBBON PER THE INSTRUCTIONS IN THIS MANUAL.
WHEN THREADING THE RIBBON, A TIP OF RIBBON DOES NOT APPEAR AT THE OPENING BEYOND THE ROTARY CUTTER	RIBBON IS ROLLED UP AROUND FEED ROLLER.	REMOVE THE RIBBON ROLLED UP AROUND FEED ROLLER AND THREAD THE MACHINE AGAIN. DO NOT CYCLE THE MACHINE AS IT WILL BREAK THE RIBBON AND CAUSE IT TO BECOME TANGLED WITHIN THE MACHINE.

SECTION 9 – REMEDIES:

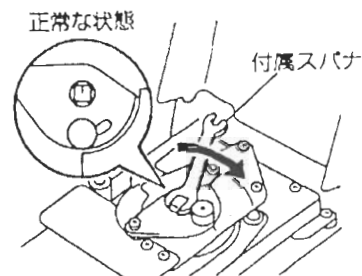
RIBBON IS ROLLED UP AROUND THE TWISTER GEAR:

- 1) TURN OFF MACHINE AND DISCONNECT POWER COAD.
- 2) CAREFULLY REMOVE THE RIBBON FROM AROUND THE TWISTER GEAR USING A CUTTING PLIERS. DO NOT PULL THE RIBBON AS IT MAY BREAK LEAVING SMALL PIECES IN THE MACHINE, OR IT MAY DAMAGE THE TWISTER.
- 3) RETHREAD THE MACHINE, PLUG IT IN, AND TRY.

MACHINE STOPS IN THE MIDDLE OF THE CYCLE:

IF THE MACHINE STOPS IN THE MIDDLE OF THE CYCLE FOR ANY REASON, FOLLOW THE STEPS BELOW:

- 1) TURN MACHINE OFF AND DISCONNECT THE POWER COAD.
- 2) LOCATE THE MAIN SHAFT. IT IS THE SHAFT UNDER THE UPPER COVER WITH THE 4 SIDES MACHINED.
- 3) USING THE SPANNER (8mm WRENCH) ENCLOSED, TURN THE MAIN SHAFT COUNTER CLOCKWISE UNTIL THE ARROW ON TOP OF THE SHAFT IS FACING TO THE LEFT WHEN LOOKING FROM THE FRONT OF THE MACHINE.
- 4) CLOSE UPPER COVER, PLU MACHINE IN, TURN MACHINE ON, AND TRY.

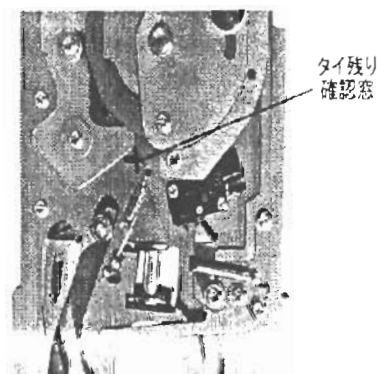


CHECKING AND REMOVING RIBBON AND RIBBON RESIDUE:

AN OPENING HAS BEEN PUT INTO THE MACHINE TO SEE IF RIBBON OR RIBBON RESIDUE IS STUCK IN THE MACHINE.

(Opening to check ribbon residuum)

- 1) LOCATE THE OPENING TO CHECK RIBBON RESIDUE. SEE FIGURE.
- 2) IF ANY RIBBON IS SEEN REMOVE THAT PIECE OR RIBBON.



SECTION 10 – MACHINE SPECIFICATION:

MODEL NUMBER : TACH-IT MODEL #3570

MACHINE DIMENSIONS: LENGTH: 25 INCHES
WIDTH: 6 INCHES
HEIGHT: 11 INCHES
WEIGHT: 24 LBS

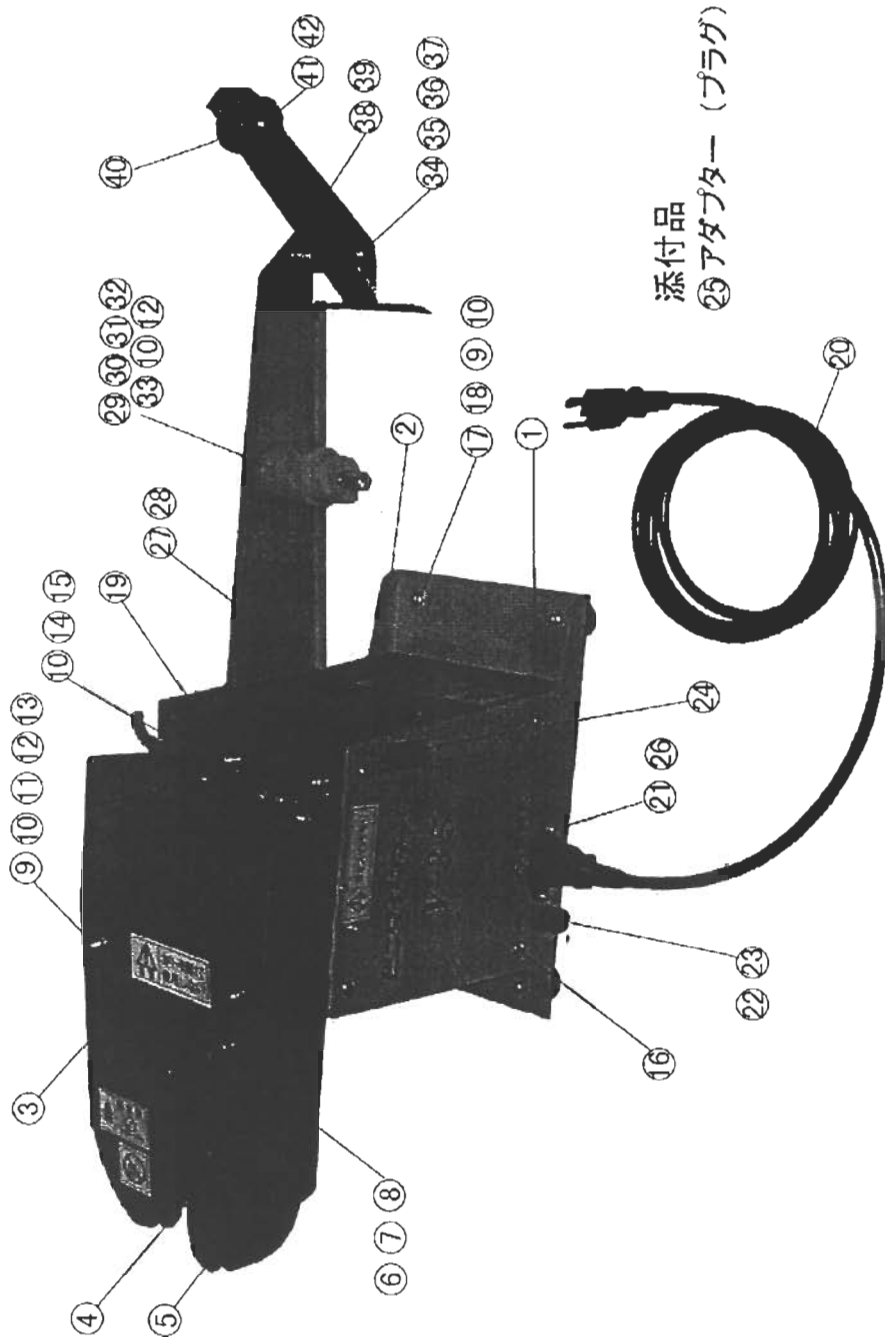
POWER: VOLTAGE: 115 VOLTS AC SINGLE PHASE
FREQUENCY: 60 Hz
WATTAGE: 50 WATTS
FUSE: 24MP

BUNDLING DIAMETER: 3/8" TO 1 3/8" TYING DIAMETER

SPEED: 35 TIES PER MINUTE

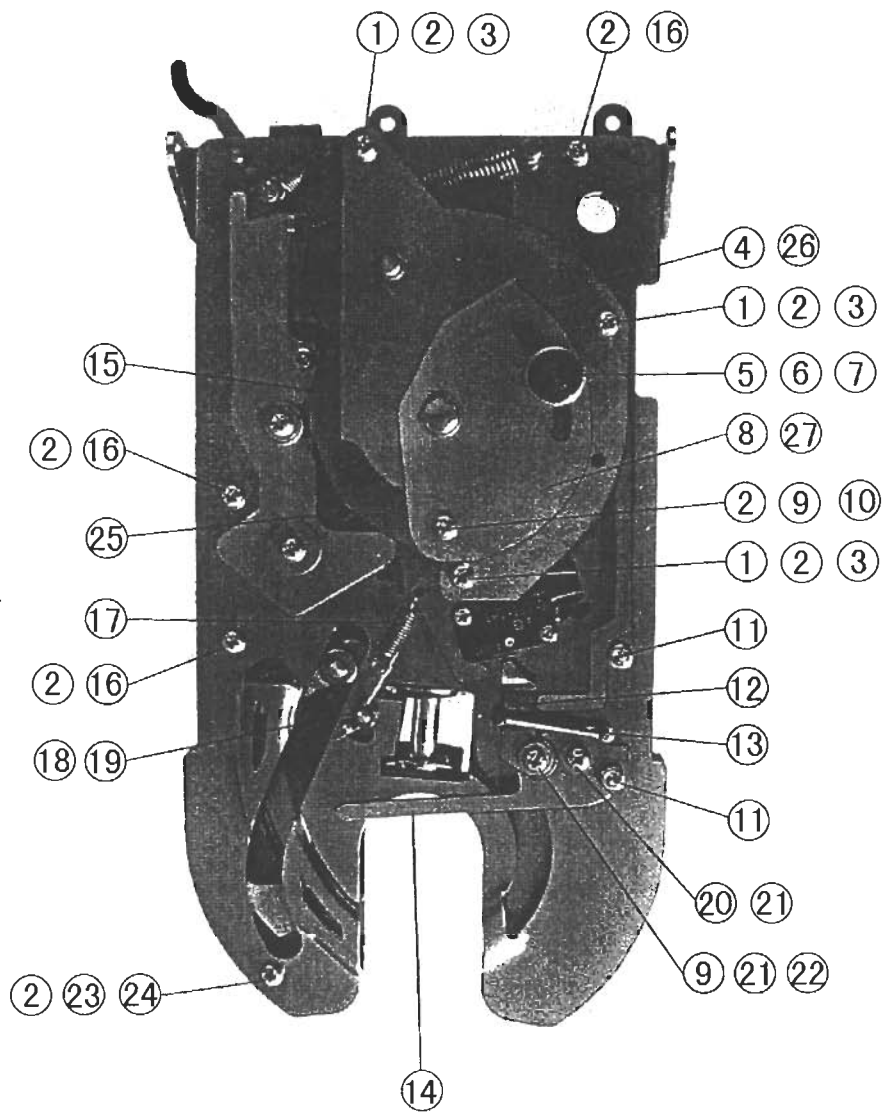
RIBBONS: TACH-IT #01-1500 27 GAUGE WIRE TWIST TIE RIBBON
TACH-IT #05-1500 24 GAUGE WIRE TWIST TIE RIBBON
TACH-IT #10-1640 POLYCORE, NON-METALIC TWIST TIE
RIBBON
OTHER RIBBONS MEETING TACH-IT'S SPECIFICATIONS.

V3501

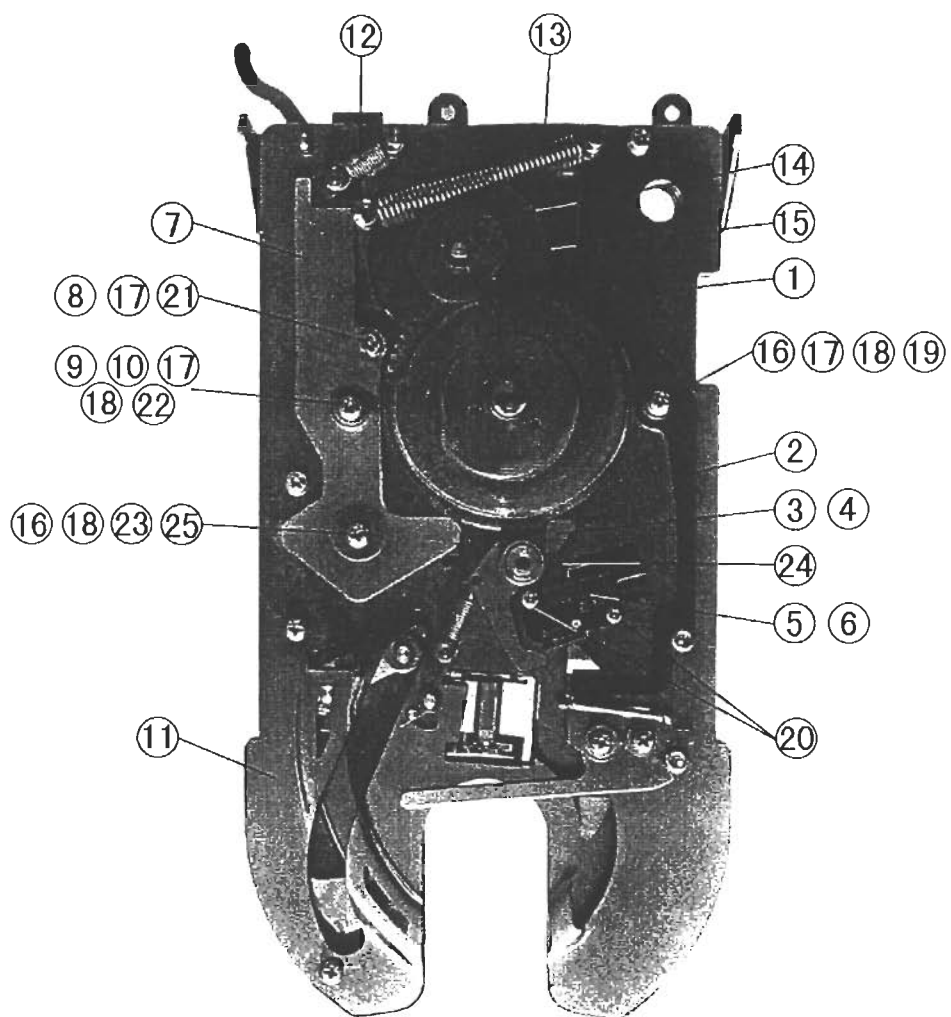


添付品
㉞アダプター (プラグ)

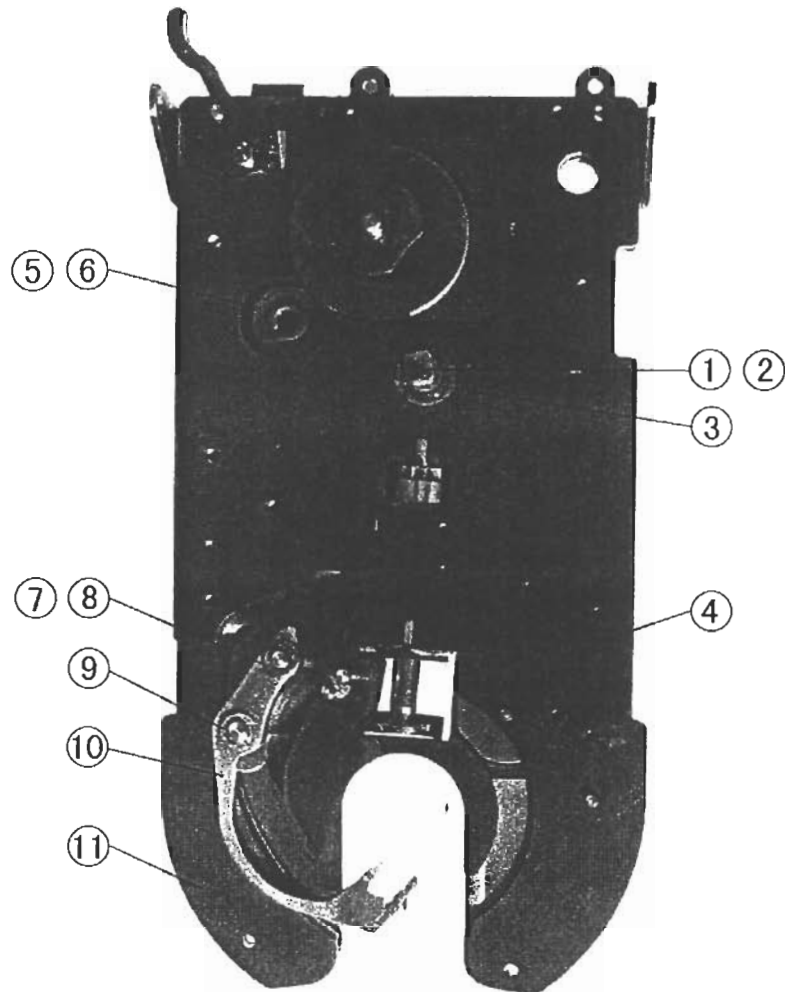
V3502



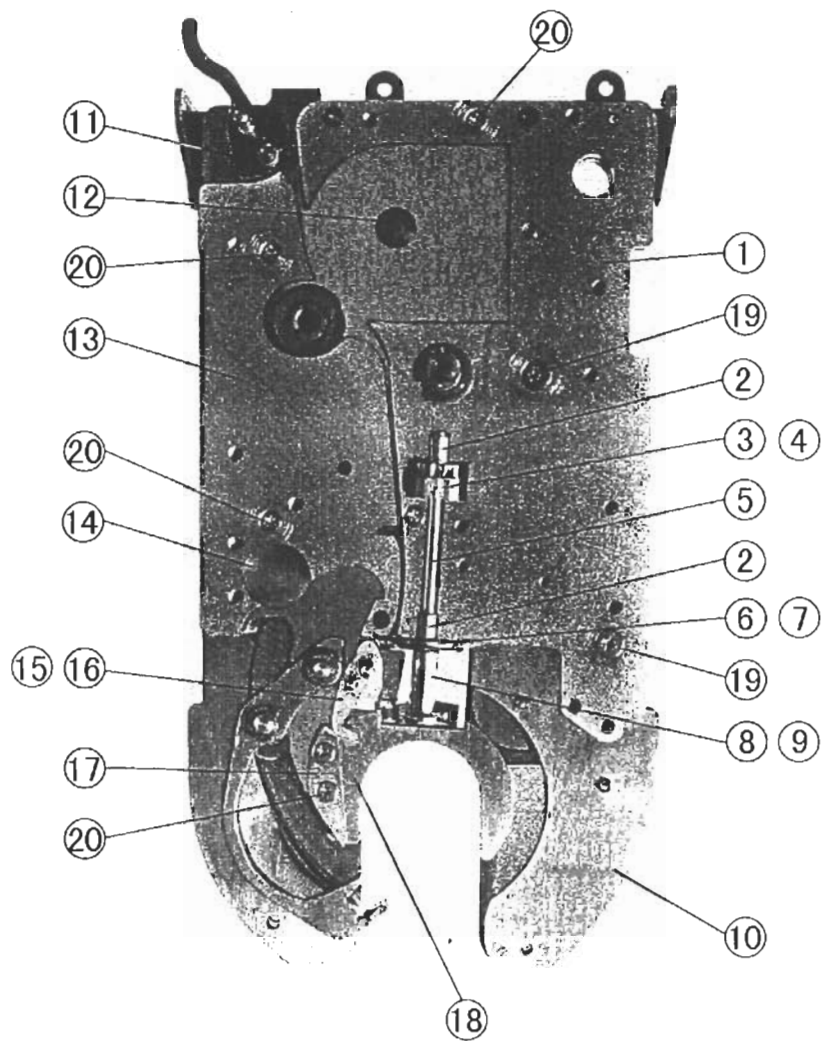
V3503



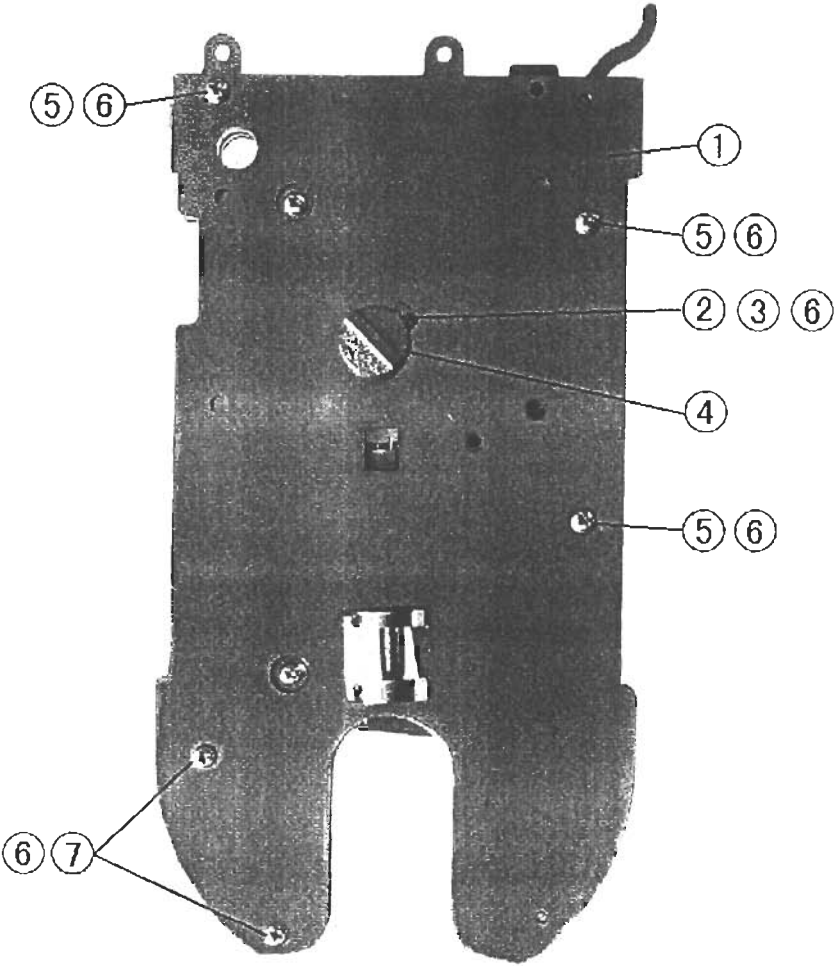
V3504



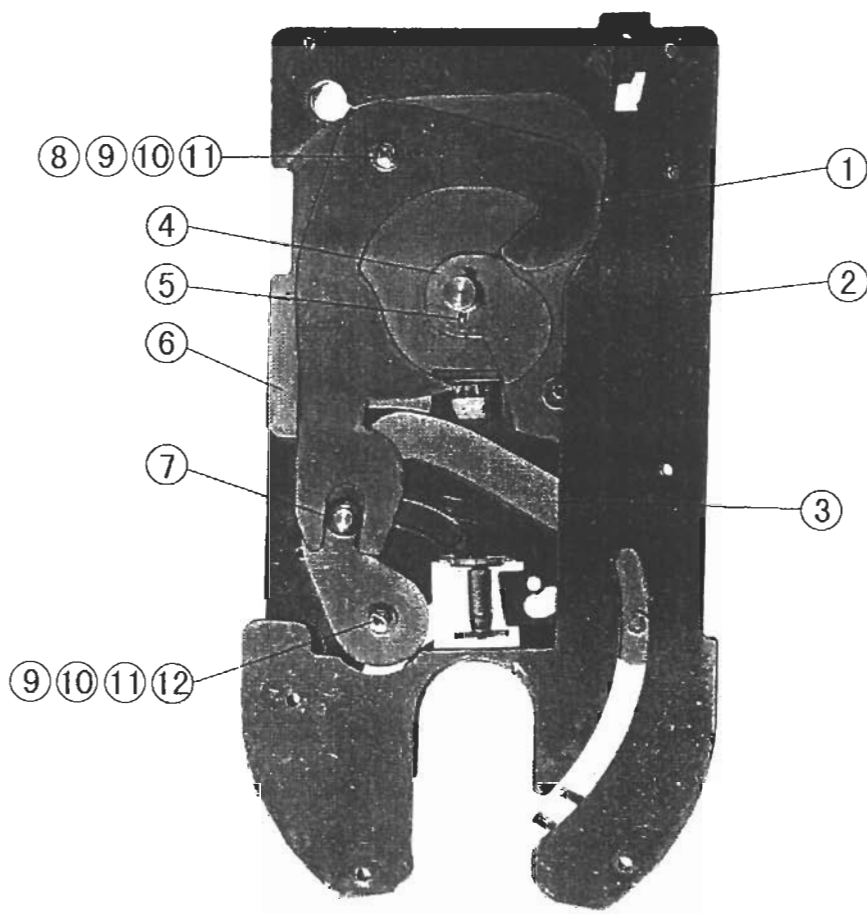
V3505



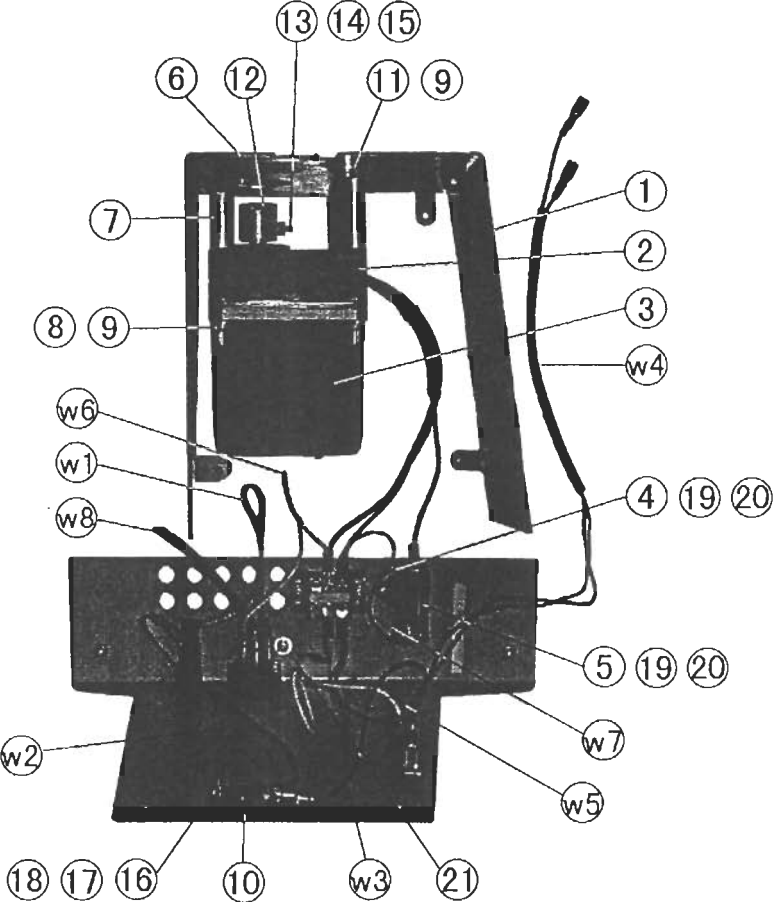
V3506



V3507



V3508



Part no.	Code no.	Description	Q'ty	Memo
V3501-1	KC-V350101	Side cover (on switch side)	1	
V3501-2	KC-V350102	Side cover (on reel arm side)	1	
V3501-3	KC-V350103	Upper cover	1	
V3501-4	KC-V350104	Movable jaw Left	1	
V3501-5	KC-V350105	Movable jaw Right	1	
V3501-6	KC-V350106	Knob	1	for Movable jaws
V3501-7	KC-V350107	SP washer M5	1	
V3501-8	KC-V350108	Flat washer M5	1	
V3501-9	KC-V350109	Cap nut M4	2	
V3501-10	KC-V350110	SP washer M4	2	
V3501-11	KC-V350111	Pan head screw M4 x 12	2	for Movable jaws
V3501-12	KC-V350112	Flat washer M4	2	
V3501-13	KC-V350113	Bearing $\phi 7 \times t2.5 \times \phi 4$	2	for Movable jaws
V3501-14	KC-V350114	Pan head screw M4 x 10	2	for Upper cover
V3501-15	KC-V350115	Bearing MB0404-9FDU	2	for Upper cover
V3501-16	KC-V350116	Truss head screw M4 x 6	8	
V3501-17	KC-V350117	Rubber leg	4	for Side cover
V3501-18	KC-V350118	Pan head screw M4 x 16	4	for Rubber leg
V3501-19	KC-V350119	Pan head screw M4 x 8	2	for Twister ass'y
V3501-20	KC-V350120	Power supply cord	1	
V3501-21	KC-V350121	IEC plug receptacle	1	
V3501-22	KC-V350122	Fuse box	1	
V3501-23	KC-V350123	Fuse 125V 2A	1	
V3501-24	KC-V350124	ON/OFF switch	1	
V3501-25	KC-V350125	Adapter	1	
V3501-26	KC-V350126	Pan head screw M3 x 8	2	for plug receptacle
V3501-27	KC-V350127	Spool holder arm	1	
V3501-28	KC-V350128	Pan head screw M4 x 10	2	
V3501-29	KC-V350129	Spindle	1	for fixing spool
V3501-30	KC-V350130	Stopper plate	1	for spool
V3501-31	KC-V350131	Knob M4	1	for Stopper plate
V3501-32	KC-V350132	Pan head screw M6 x 16	1	for Spindle
V3501-33	KC-V350133	SP washer M6	1	
V3501-34	KC-V350134	Shaft $\phi 8 \times 50 \times M4$	1	for Brake arm
V3501-35	KC-V350135	Collar $\phi 16 \times L20 \times \phi 8.1$	1	for Brake arm spring
V3501-36	KC-V350136	Brake arm spring	1	
V3501-37	KC-V350137	E-ring ETW-6	1	
V3501-38	KC-V350138	Brake arm	1	
V3501-39	KC-V350139	Bearing MB0806-15FDU	2	for Brake arm
V3501-40	KC-V350140	Spool brake roller	1	
V3501-41	KC-V350141	Shaft	1	for Brake arm
V3501-42	KC-V350142	E-ring ETW-4	1	

OPERATION
MANUAL & PARTS LIST

TACH-IT MODEL 3570