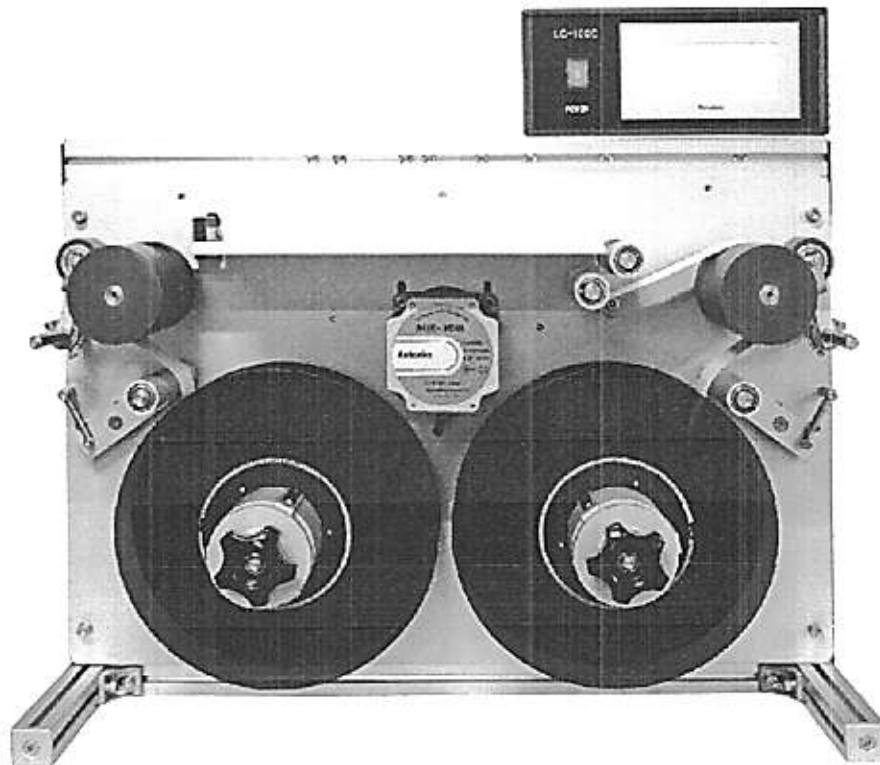


# LABEL COUNTER



MODEL : LC-100C



## USER'S MANUAL

OPERATION, MAINTENANCE AND TROUBLE SHOOTING

# Contents

- Introduction, Manufacturer, Warranty----- 3
- External View----- 4
- Specifications----- 5
- Label Setting----- 6
- Touch Panel Control-----7
- Parts List-----8
- Electric diagram-----9

## -Introduction

Thank you very much for purchasing this machine.

The machine you have purchased has been carefully designed and manufactured

to provide you the maximum benefit, ensuring ease of use and safe operation.

This manual provides all information you need for the installation, maintain and operation of this machine.

## -Manufactured by

SANHO MACHINERY CORP.

2F SANHO BLDG, 15 BEOTKKOT-RO, 38-GIL,

KEUMCHUN-KU, SEOUL, 08509 KOREA

TEL: (02)857-3498, 864-5947

FAX: (02)868-8285

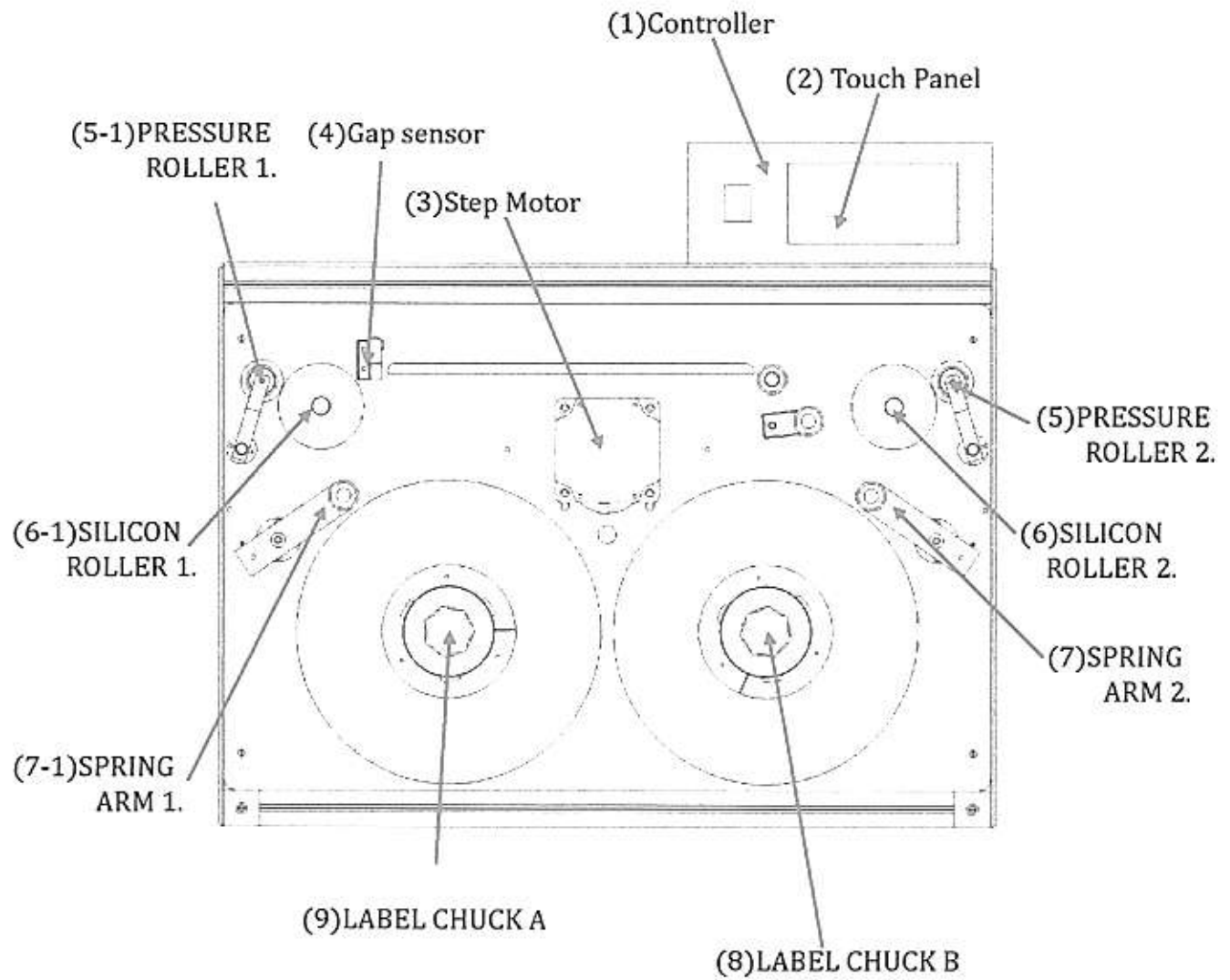
Http://www.sanho.co.kr E-mail: sanhomc@gmail.com

## -Warranty

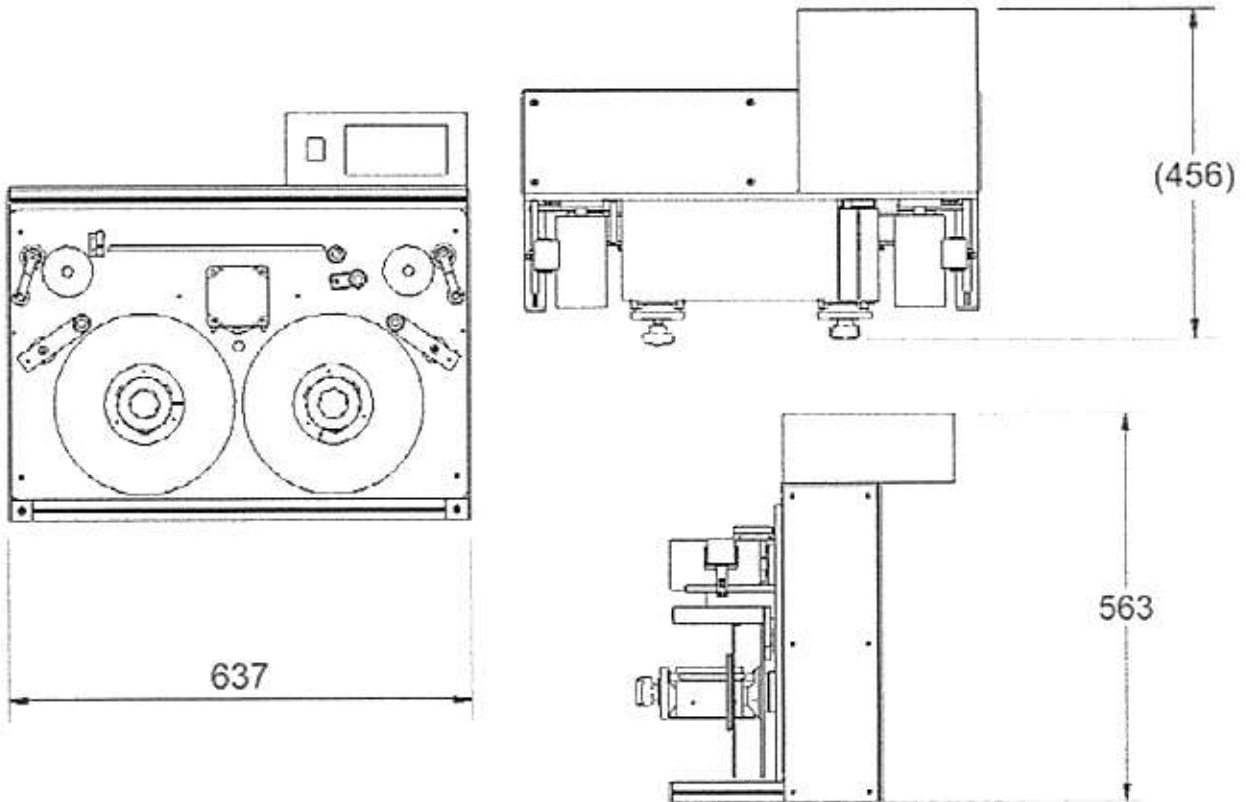
Sanho machinery offers the warrantee that the equipment is free from material defects and workmanship for one year from the date of original invoice under the following conditions.

1. Sanho machinery corp. will repair or replace any defective parts reported to Sanho or territory distributor during the warranty period.
2. This warranty shall not apply if:
  - a. The product is modified or damaged by faulty use, natural disaster or neglect.
  - b. The product has not been operated or maintained in strict compliance with operating procedures and instructions found in the operating manual.
  - c. Use of parts, components or other materials not supplied by SANHO MACHINERY CORP.

# - External View



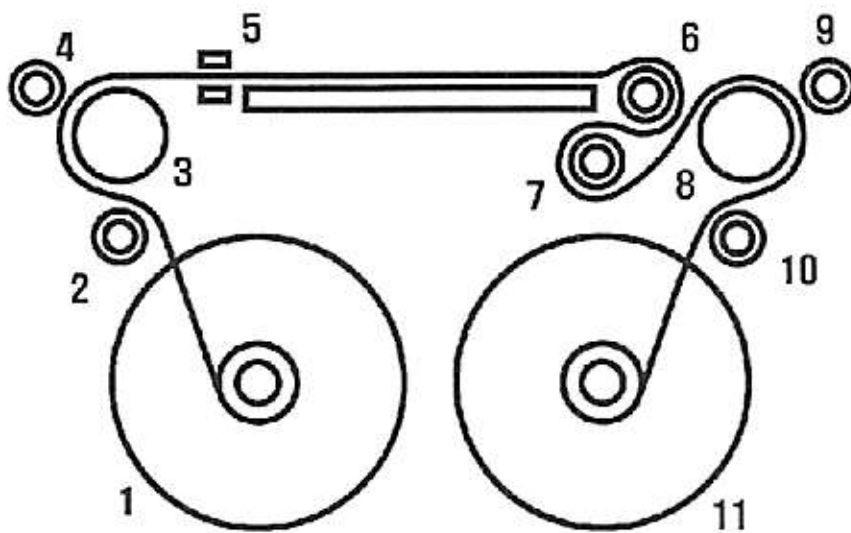
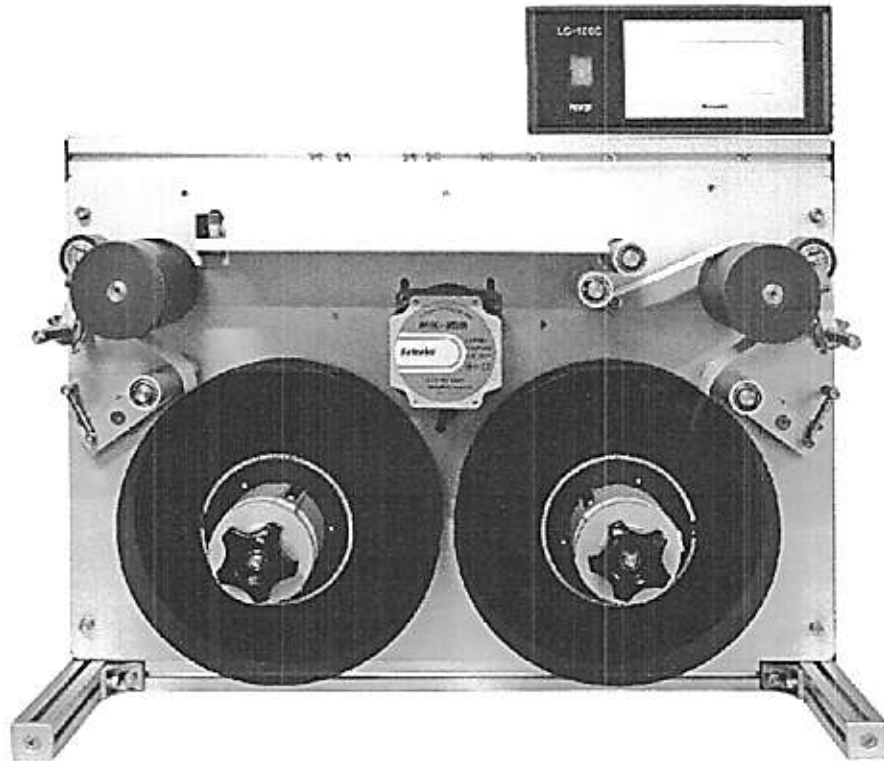
## -Specifications



- Label roll - Max.  $\varnothing$ 250mm
- Label width - Max. 130mm , Min. 20mm
- Sensor catching capacity - Max. 10,000pcs/min
- Power – 110/220 Free Volts
- Electric parts consist:
  - 1 Step motor, Driver, PLC
  - 1 Free Volt SMPS
  - 1 Sensor

※Label can be turned on Right to Left direction only!

# -Label Setting



# - Touch Panel Control

COUNT

TARGET

You can select continuous mode (TARGET) or intermittence mode.

◀ << SET >>

MOTOR SPEED

STOP SEC

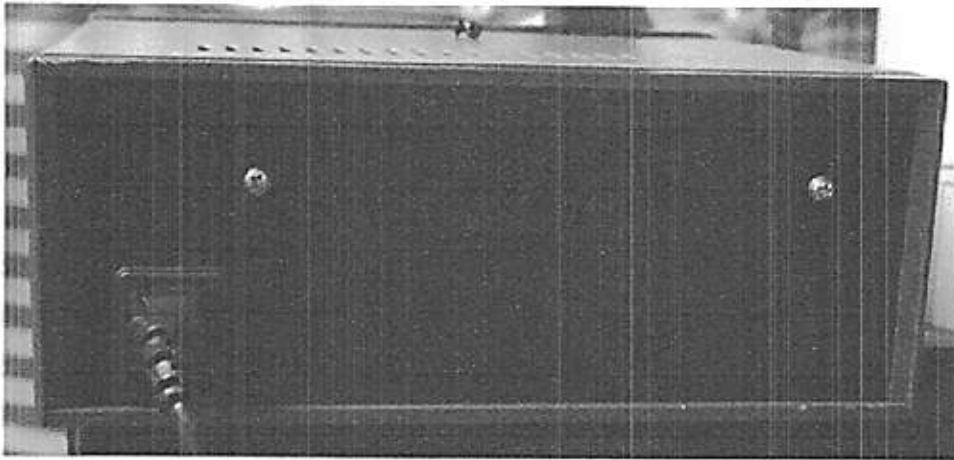
In case of Intermit mode, how long stop mean. 500-1,000 will be OK less than 100, it looks non-stop.

◀ << SELECT >>

TARGET  INTERMIT MODE

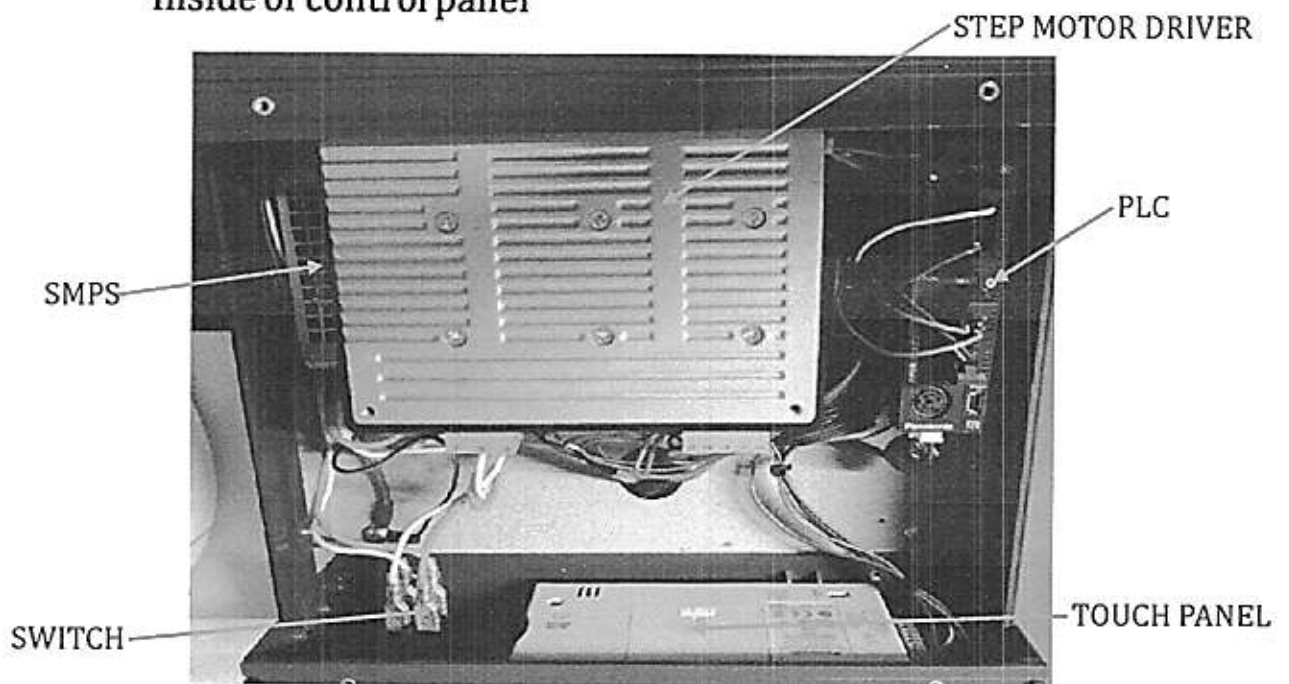
## - Parts list(Controller)

Back of control panel



\*110/220 Free Volts

Inside of control panel





# Electric Diagram

