

TACHIT®

Instruction Manual and
Spare Part List

EBC-100 Cutter for Cardboard Edge Protection.



Ben Clements and Sons, Inc.

50 Ruta Court, South Hackensack, New Jersey 07606 USA

Tel: 201-440-5500 or 800-222-5540 Fax: 201-440-1455

Email: sales@tach-it.com Web: www.tach-it.com

Tach-It is a registered trademark of Ben Clements and Sons, Inc. /Clements Industries, Inc. March 2017

Section 1 Caution:

- 1) Read full instruction manual prior to using this machine.
- 2) This machine contains a sharp blade with the intended purpose of cutting cardboard edge protection to length. **Never operate this machine under the following conditions:**
 - a. **If anything other than the intended product is inserted into the machine.**
 - b. **Never insert hands, fingers, clothing, jewelry or any other product except Cardboard Edge Protection into this machine.**
 - c. **Never operate this machine under the influence of alcohol or drugs or if the operators full attention can not be guaranteed.**
 - d. **Never operate this machine without the Safety Guards being installed and tight in their proper position.**
 - e. **Never operate this machine unless it is properly mounted to a clean, flat and dry surface.**
 - f. **Never use this machine for other than it's intended purpose.**
 - g. **Never cut a piece of Edge Protection Cardboard less than 2 inches wide as it may fall into the machine.**
 - h. **Never reach into the machine to remove a small piece of cardboard with hands.**
- 3) Mount this machine prior to using by using the holes provided and screwing to a solid clean, dry and flat surface or use C-Clamps (not provided).
- 4) Always install Safety Pin when the machine is not in use or when transporting the machine.
- 5) Always confirm the Blades are propely installed and tight prior to use.
- 6) Always use the provided Allen Wrench to replace the Blades.
- 7) Never handle the Blades directly and use the included Magnet to hold the Blades.

Section 2 Specifications:

Machine Specifications:

Length - 21" (534mm)
Width - 8" (203mm)
Height - 32" (813mm)
Weight - 16 Lbs (7.25 Kgs)

Cardboard Edge Protection Specifications:

Length - 4" (100mm)
Length - 4" (100mm)
Thickness - 3/8" (10mm)

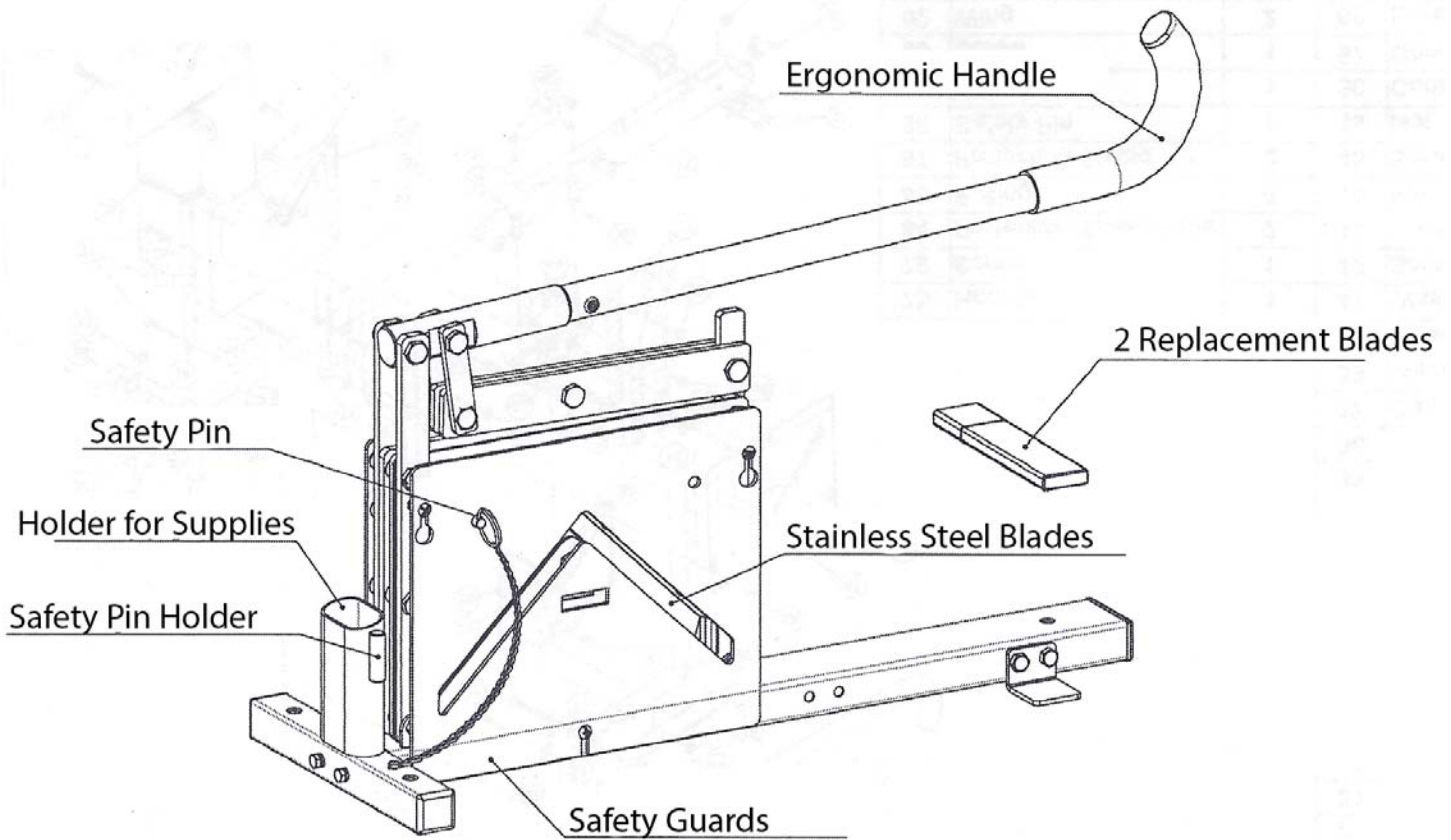
Section 3 Items included in Carton:

- | | |
|--------|---|
| 1 each | EBC-100 Cutter for Cardboard Edge Board Protection |
| 1 each | Instruction Manual |
| 1 each | Set Spare Stainless Steel Replacement Blades (our part #EBC-100B) |
| 1 each | Allen Wrench for changing blades |
| 1 each | Magnet to hold blades during handling |

Maintenance:

- 1) Replace the Blades when dull or not cutting the Edge Protection Cardboard clean.
- 2) Only use the original manufacturer's Stainless Steel Replacement Blades part #EBC-100B
- 3) Periodically clean the machine with a brush and compressed air. Frequency is dependent on the environment that the machine is being used on.
- 4) Apply lightweight machine oil to the moving parts of the EBC-100 as needed.

Section 4 Parts Identification:



Section 5 Set Up Prior to Use:

- 1) Mount the EBC-100 to a Clean, Flat and Dry Surface either by:
 - a. Screwing the machine to the surface utilizing the holes provided in the frame.
 - b. Using C-Clamps (not provided).See Figure 1 Below.
- 2) Rotate Handle to ergonomic position:
 - a. Loosen screw using screwdriver and wrench.
 - b. Rotate the Handle 180 degrees so curved open end is facing up.
 - c. Re-tighten screw.See Figure 2 Below.

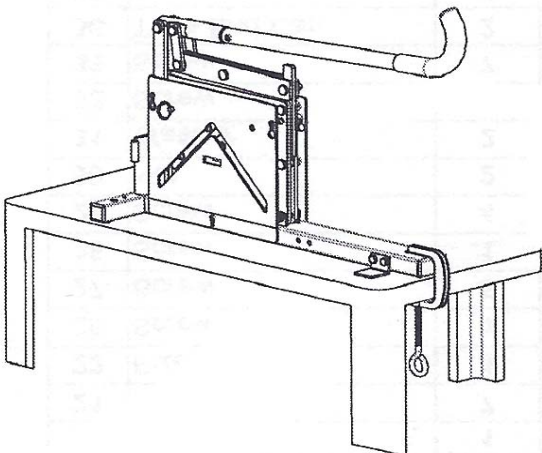


Figure 1

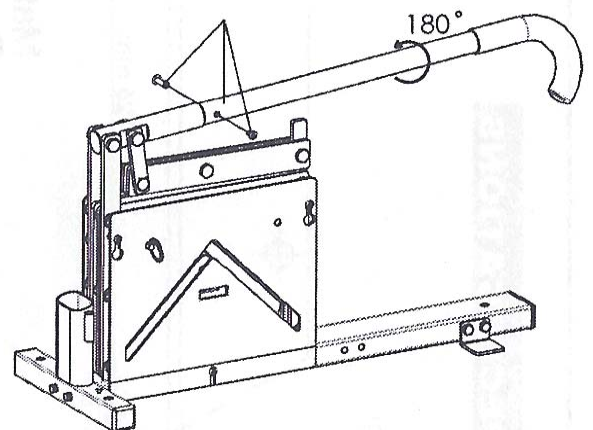


Figure 2

Section 6 Operating Instructions:

- 1) Remove the Safety Pin from the machine:
 - a. Press down on the handle.
 - b. While pressing down the handle remove the Safety Pin.
 - c. Always store the Safety Pin in the Safety Pin Holder (see Section 4 Parts Identification).See Figure 4 Below.

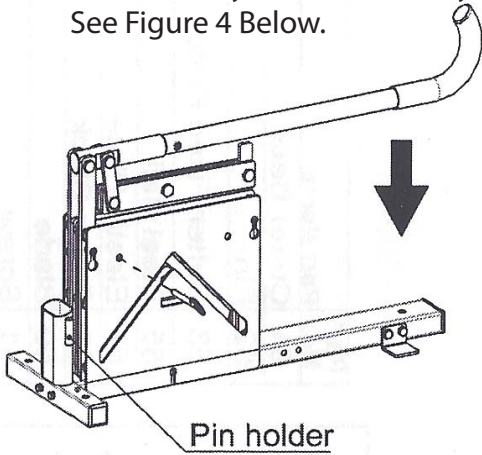


Figure 4

- 2) Measure the length of the Edge Protection Cardboard and mark the Cardboard.
 - 3) Lift the Handle of the EBC-100 up to its highest vertical position opening the space between the Stainless Steel Blades and the Anvil.
 - 4) Insert the Edge Protection Cardboard through the Safety Guard and between the Blades and the Anvil.
 - 5) Line up the mark previously made on the cardboard with the blade.
 - 6) Press the Handle all the way down until the Edge Protection Cardboard is cut through.
 - 7) Lift the Handle and remove the cut pieces of Edge Protection Cardboard.
- See Figure 5 and 6 Below:

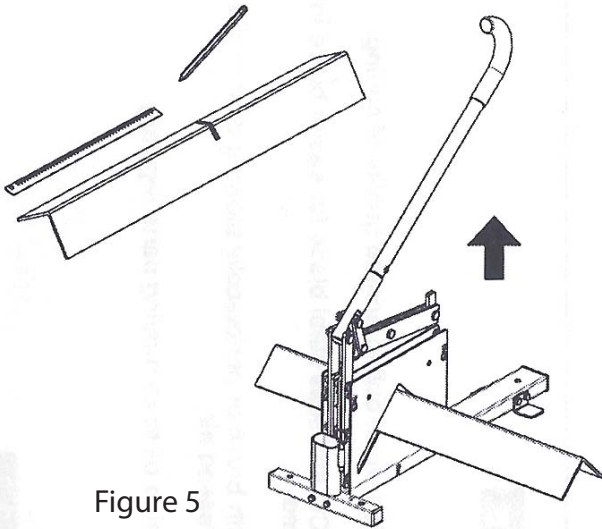


Figure 5

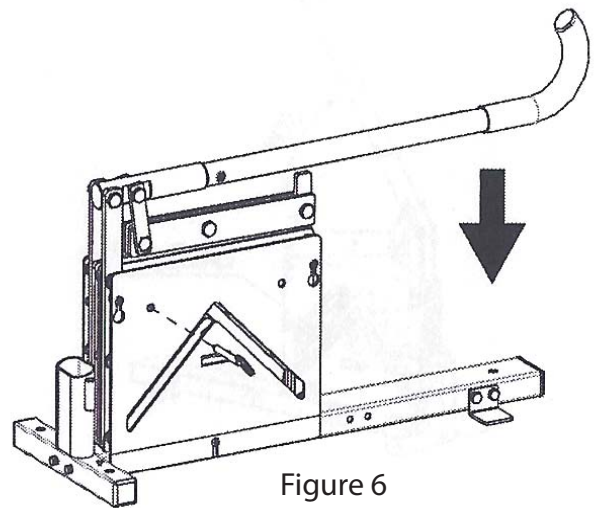


Figure 6

Hint: When cutting boards of the same length, cut the first board to the desired length and lay that board over the boards that need to be cut lining up the ends. This will assure the same length board is cut each time without having to measure each individual board. See Figure 7.

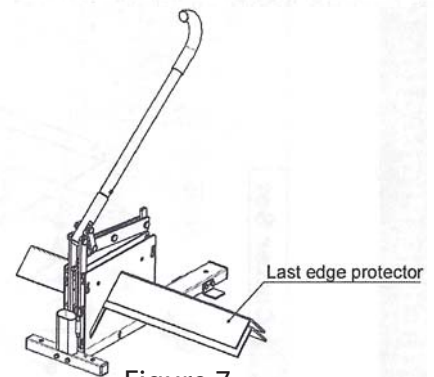


Figure 7

Section 7 Inserting Safety Pin:

It is very important that for safety, the Safety Pin is inserted in the EBC-100 when the machine is not in use or being transported.

- 1) Press the Handle down.
- 2) With the Handle in the full down position locate the hole that the Safety Pin inserts into and insert the Safety Pin. See Figure 8 Below:
- 3) Check that the Safety Pin is fully inserted by looking at the other side of the machine and the Pin will protrude out of the hole as shown in Figure 9.
- 4) If transporting the EBC-100, confirm the Safety Pin is fully installed per the instructions above and hold the machine by the Handle. See Figure 10.

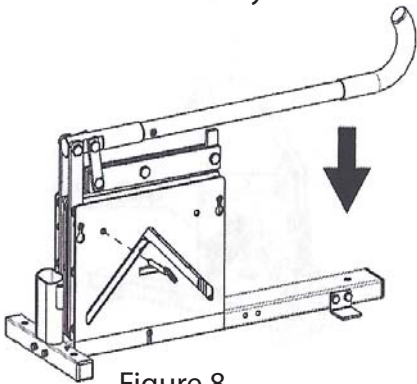


Figure 8

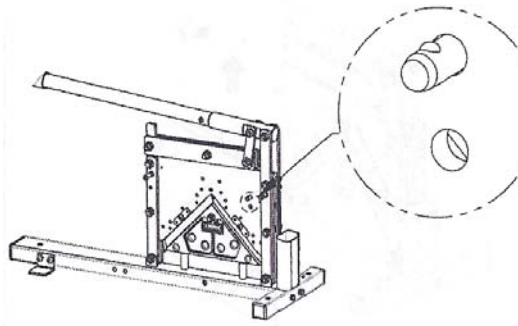


Figure 9

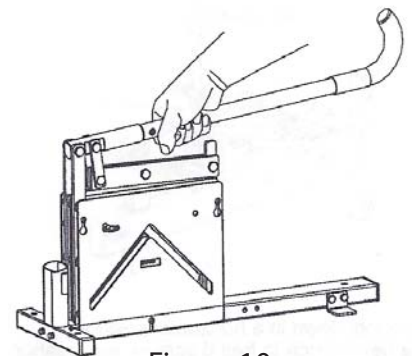


Figure 10

Section 8 Replacing the Blades:

- 1) Place the EBC-100 onto a clean, flat and dry surface and remove the Safety Pin. Loosen the 3 screws without removing them and lift the Safety Guard up and the out. See Figure 11.
- 2) Lift the Handle approximately 60 degrees up so the Safety Pin can be inserted into the hole. See Figure 12.
- 3) **Important:** Re-install the Safety Pin per the instructions in Section 7 above.
- 4) Rest the machine in the horizontal position. See Figure 13.
- 5) Using the provided Allen Wrench, remove the 4 screws and remove the screws, washers and cutter blocks. See Figure 13.
- 6) Using the provided magnet remove the Blades. See Figure 14.
- 7) Starting with the **Right Blade First** Hold the new Blade with the provided magnet and place the new Blade against the edge of the Cutter Fixing Plate and onto the 2 Pins. See Figure 15.
- 8) Align and replace the screws and washers that were removed in Step 5 above. Once the Screws are aligned, secure and tighten the 2 screws. See Figure 16.
- 9) Follow Step 7 and 8 above to replace the left side blade. **The left side Blade will be on top of the tip of the right side Blade.** See Figure 17.
- 10) Bring the EBC-100 back to the proper vertical position.
- 11) Remove the Safety Pin and re-install the Safety Guard. See Figure 18.

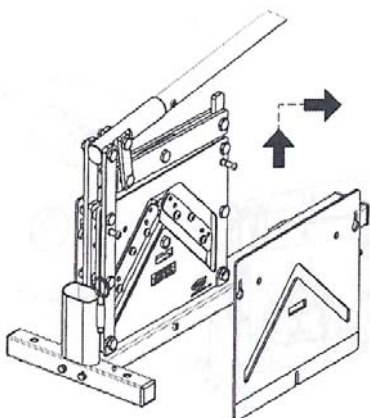


Figure 11

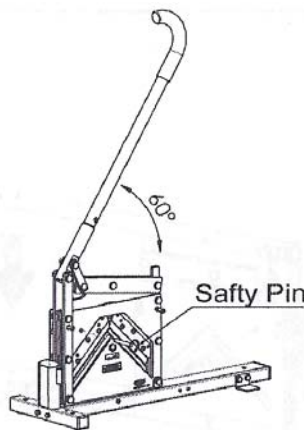


Figure 12

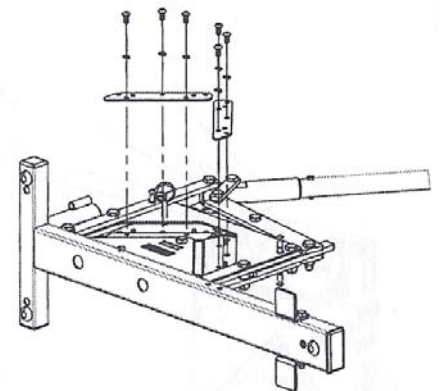


Figure 13

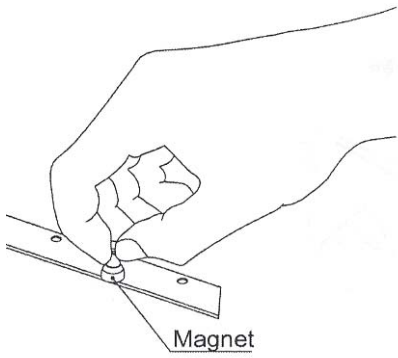


Figure 14

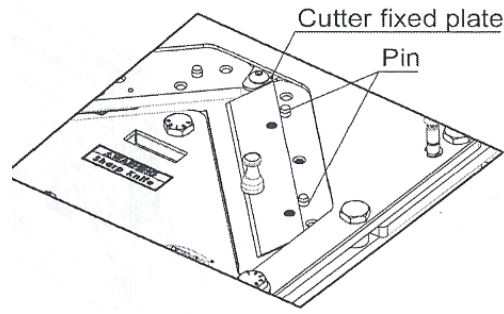


Figure 15

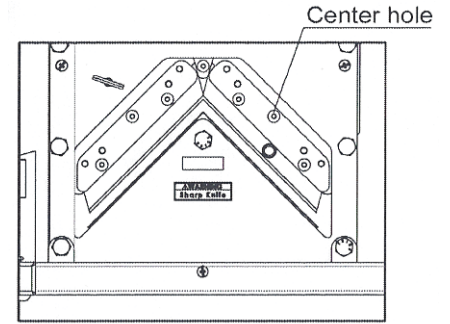


Figure 16

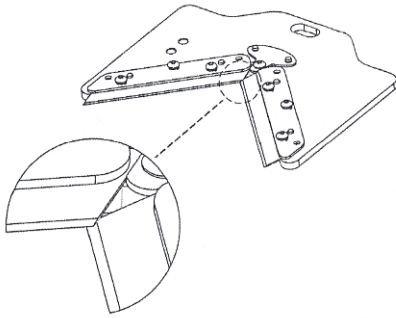


Figure 17

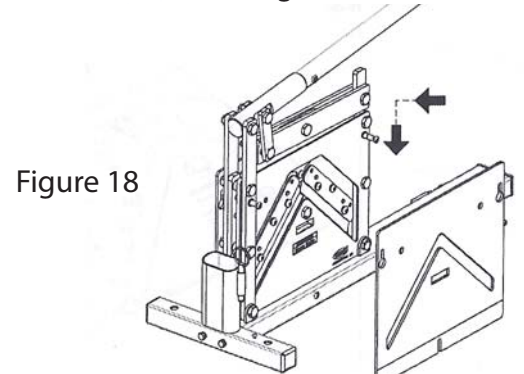
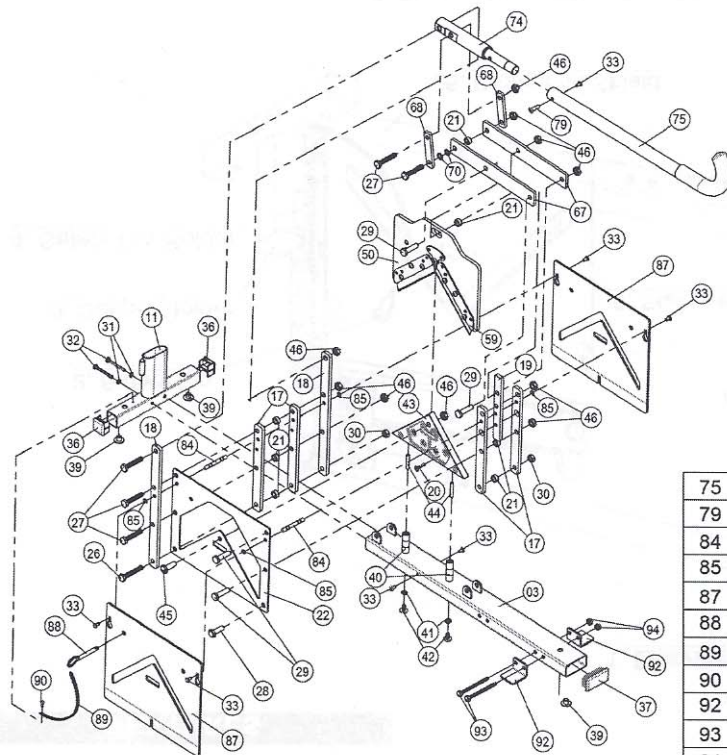
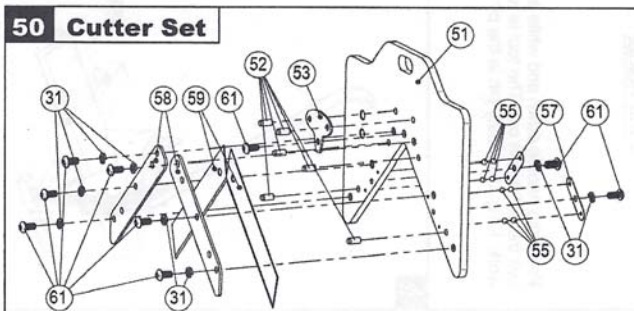


Figure 18

Section 9 Parts List:



Part No.	Part Name	QTY
3	Base	1
11	Supply Holder	1
17	Interval Plate	4
18	Handle Fixed Plate	2
19	Handle Block	1
20	Screw	1
21	Metal Ring	7
22	Fixed Board	1
26	Screw	1
27	Screw	5
28	Screw	1
29	Screw	4
30	Nut	2
31	Washer	2
32	Screw	2
33	Screw	7
36	Tube End Cap	2
37	Cap	1
39	Slip Resistance Feet	3
40	Pillar for Cutting Board	2
41	Washer	2
42	Screw	2
43	Cutting Board	1
44	Pin	2
45	Screw	1
46	Nut	10
48	Safety Pin	1
49	Chain	1
50	Cutter Set	1
51	Cutter Base	1
52	Pin	6
53	Cutter Fixed Plate	1
55	Steel Ball	8
57	Elastic Plate	2
58	Cutter Block	2
59	Blade	2
61	Screw	9
67	Connecting Plate	2
68	Lever	2
70	Washer	2
74	Handle Head Holder	1
75	Handle	1
79	Screw	1
84	Protection Shield Pillar	2
85	E Ring	4
87	Protection Shield	2
88	Safety Pin	1
89	Chain	1
90	Screw	1
92	Wing	2
93	Screw	2
94	Nut	2



Part No.	Part Name	QTY
51	Cutter Base	1
52	Pin	6
53	Cutter Fixed Plate	1
55	Steel Ball	8
57	Elastic Plate	2
58	Cutter Block	2
59	Blade	2
61	Screw	9
31	Washer	8