

TACHIT[®]

INSTRUCTION MANUAL AND PARTS LIST FOR TACH-IT Z-CUT 2 CAROUSEL DEFINITE LENGTH PRESSURE SENSITIVE TAPE DISPENSER



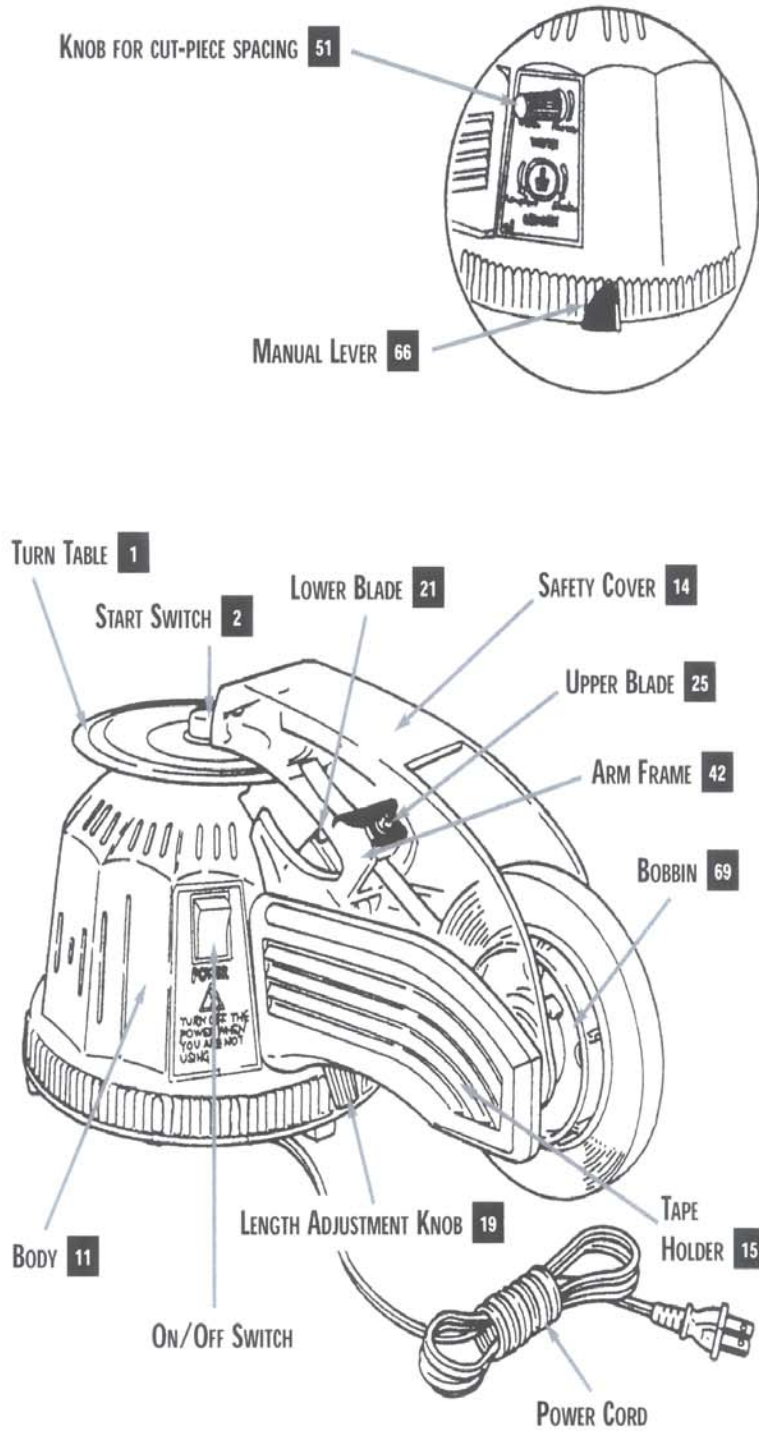
Ben Clements and Sons, Inc. / Clements Industries, Inc.
50 Ruta Court, South Hackensack, New Jersey 07606 USA. 201-440-5500, 1-800-222-5540, fax 201-440-1455

Tach-It (UK) England, Clements Industries Japan, Clements Industries Inc. Korea
Tach-It and Twisters are registered, copyrighted or trademarks of Clements Industries, Inc.

© Ben Clements & Sons, Inc. and Clements Industries, Inc. 01/04

Printed in USA

Z-CUT 2 OVERVIEW:



Z-CUT 2 - CAUTIONS (READ BEFORE FIRST USE):

- 1) Make Sure the On/Off switch is turned to the “Off” position before you plug the Z-Cut 2.
- 2) When loading the tape, make sure the On/Off switch is in the “Off” position.
- 3) The blades of the Z-Cut 2 are very sharp. When the machine is in operation, make sure the safety cover is down.
- 4) If there are finger marks, oils, and or dirt on the carousel, the tape won't stick properly, so use a clean dry cloth to clean the carousel. Note: For major cleaning, wipe the carousel off the benzene or alcohol. Never use paint thinner.
- 5) Do not run the Z-Cut 2 without tape in the proper feeding position as this will shorten the life of the motor.
- 6) This is an industrial tape dispenser and not designed for home use or for use near children.
- 7) The Z-Cut 2 can be used effectively by more than one operator at a time. Proper ventilation and an occasional rest for the motor may be needed.
- 8) Be careful when removing tape for the Z-Cut 2. If the carousel is accidentally twisted the cycle may begin inadvertently.
- 9) When not in used, remove the plug of the Z-Cut 2 from the power outlet.
- 10) When performing any maintenance or cleaning remove the plug of the Z-Cut 2 from the power outlet.
- 11) Do not pick up or move the Z-Cut 2 by holding the carousel.
- 12) The Z-Cut 2 is intended for the cutting of pressure sensitive tapes. Cutting of other materials or use of the Z-Cut 2 for other than its intended applications voids all warranties expressed and implied.

Z-CUT 2 - HOW TO LOAD THE TAPE SPOOL:

- 1) The On/Off Switch must be in the “Off” position.
- 2) Choose the right size Bobbin (69) for the tape to be used on the machine.
Internal Diameter: 25mm (1”), 32mm (1 1/4”) or 78mm (3”).
Outside Diameter: Up to 130mm (5 1/4”).
- 3) Put the tape on the Bobbin make sure it feeds from the top of the roll. Also make sure the tape roll is pushed against the flange of the Bobbin. See Figure 1.
- 4) Pull out approximately 4” of tape from the spool and insert the Bobbin into the Tape Holder (15)

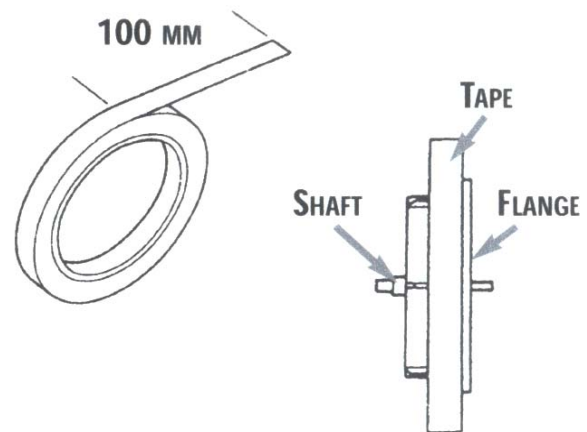


Figure 1

Z-CUT 2 - HOW TO LOAD THE TAPE:

- 1) The On/Off switch must be in the “Off” position. Open the Safety Cover (14). Move the Arm Frame (42) by sliding the Manual Lever (66) back and forth.
- 2) Set the Blades as if they were going to “Bite” onto the carousel. See Figure 2.
- 3) Bring the Arm Frame (42) away from the carousel.

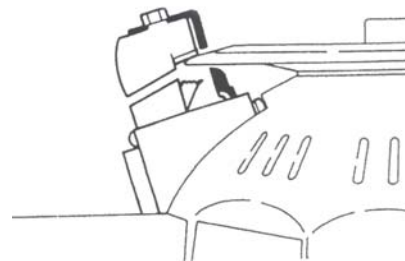
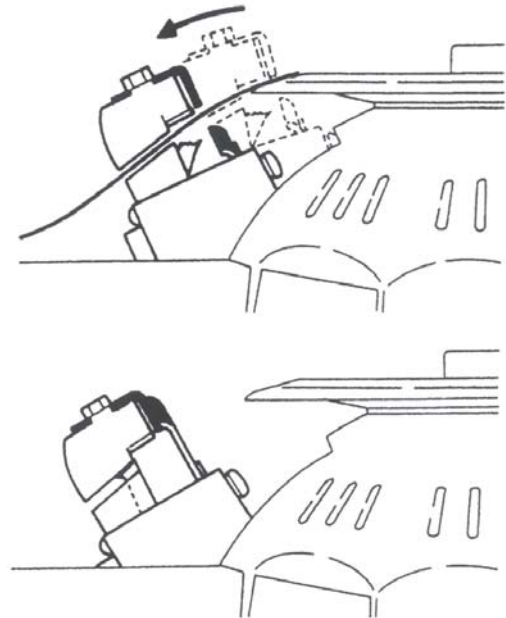


Figure 2

Z-CUT 2 - HOW TO LOAD THE TAPE CONTINUED:

Figure 3

- 4) Pull the tape through the Blades and affix the tape to the carousel. See Figure 3. It is suggested that when applying the tape to the carousel, it is applied to the middle of the carousel. This will help ensure proper loading the first time.
- 5) Close Safety Cover (14).
- 6) If the tape wasn't set correctly, repeat steps 1-5 above.



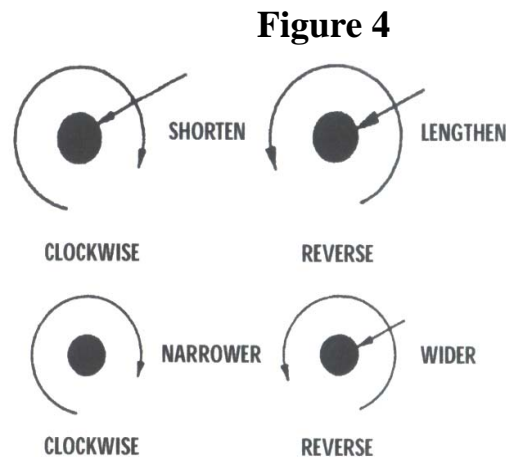
Z-CUT 2 - OPERATING THE UNIT:

- 1) The On/Off switch must be put to the “On” position.
- 2) Press the Start Switch (2) in the center of the carousel. The cut pieces of tape will be distributed about one half to two thirds of the way around the carousel.
- 3) Before you begin production with the Z-Cut 2 test the process by cutting a few pieces of tape and make sure they are the desired length.
- 4) After all the tape has been taken from the carousel, push the Start Switch (2) again. It is important that the tape be removed before pressing the Start Switch (2), otherwise the tape will feed back into the machine and begin overlapping and jamming the unit.
- 5) The motor of the Z-Cut 2 is thermal protected. If the unit reaches too high of a temperature, the machine will shut down automatically. Wait for the machine to cool before continuing operation.
- 6) Whenever the Safety Cover (14) is open, the machine will not operate.

Z-CUT 2 - ADJUST TAPE LENGTH AND SPACING:

The operator can adjust the length of the cut piece of tape as well as the spacing between the cut pieces of tape.

- 1) To adjust for the length of the tape, turn the Length Adjustment Knob (19) until the desired length is achieved. See Figure 4.
- 2) To adjust the spacing of the tape on the carousel, turn the Knob for Cut Piece Spacing (51) until the desired spacing is achieved. Do not make the spacing so close the tape overlaps as this will create problems. See Figure 4.

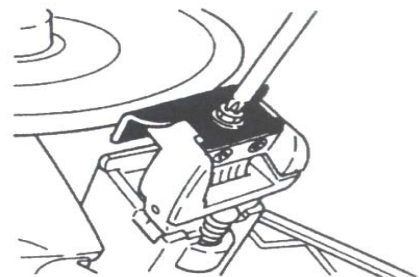


Z-CUT 2 - HOW TO REPLACE AND ADJUST THE BLADES:

The blades on the Model Z-Cut 2 will eventually dull and need replacing. When this occurs it is important that the blades be changed as soon as possible to avoid any damage to the machine. The life of the blades will depend upon the type, quality, weight, and adhesive on the tape being used in the machine. Sharpening the blades is not recommended.

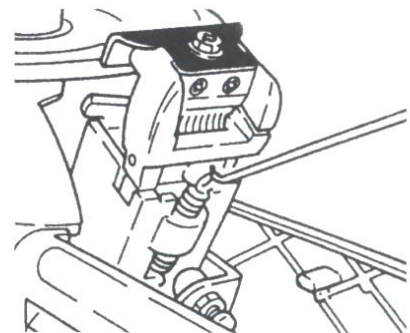
HOW TO REMOVE THE UPPER BLADE (25):

- 1) Remove the 4mm screw with a screwdriver.
- 2) Take off the Upper Blade (25). See Figure 5.



HOW TO REMOVE THE ARM FRAME (42):

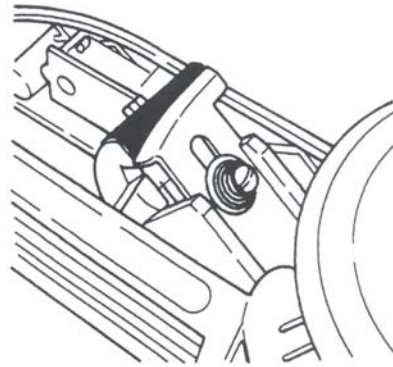
- 1) Remove the Spring
- 2) Raise the Arm Frame (42) by using Manual Lever (66).
- 3) Pull the Arm Frame (42) out. See Figure 6.



HOW TO REMOVE THE LOWER BLADE (21):

- 1) Remove the Screw using a screwdriver.
- 2) Pull the Lower Blade (21) from the machine. See Figure 7. Please note if you have trouble removing the Lower Blade, use the Manual Lever (66) to cycle the cutter and this will raise the blade.

Figure 7



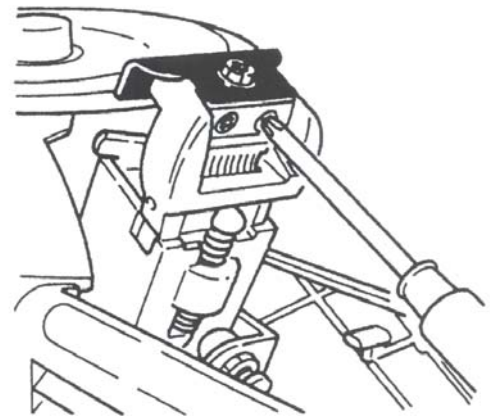
HOW TO INSTALL THE NEW BLADES:

THE NEW BLADES ARE INSTALLED BY REVERSING THE INSTRUCTIONS USED TO REMOVE THE BLADES. IT IS IMPORTANT THAT WHEN REINSTALLING THE BLADES THE LOWER BLADE (21) AND THE ARM FRAME (42) ARE FIRMLY INSTALLED.

HOW TO ADJUST THE UPPER BLADE (25):

- 1) Use the 2 adjustment screws located behind Upper Blade (25). Adjust the Upper Blade (25) inward by alternately tightening the 2 screws. Note: if you have to force the blade out, it may collide with the Lower Blade (21) during the cycle.
- 2) Load the tape as previously instructed and try to cycle the machine.
- 3) Once the adjustments are made tighten the top screw firmly.
- 4) Try to cycle the machine again, if the adjustments are made properly the tape will cut and the machine will cycle correctly. If the tape is cutting, but not cleanly tighten the adjustment screws a little at a time and try again.

Figure 8



Z-CUT 2 - SPECIFICATIONS:

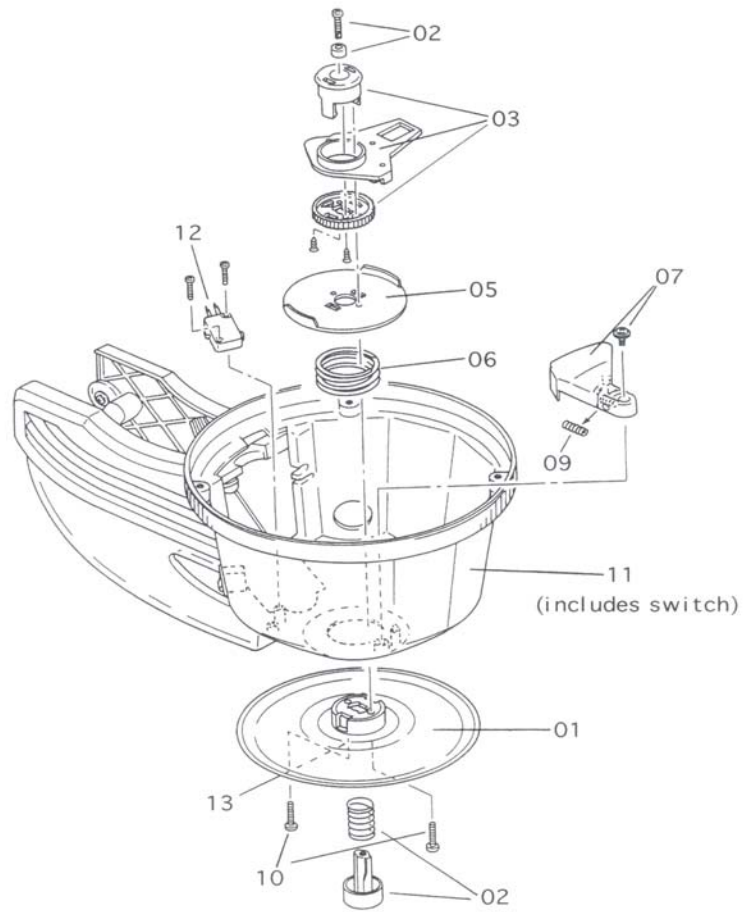
- | | | |
|-------------------------|---|---|
| 1) Cutting Length: | From 13 mm (.51") to 60mm (2/36") | |
| 2) Tape Width: | From 3mm (.12") to 25mm (.98") | |
| 3) Core and Roll Sizes: | Internal (Core) Diameter—25mm (1"), 32mm (1 1/4"), 78mm (3").
Outside Diameter—up to 130mm (5 1/4") | |
| 4) Recommended Tapes | Cellophane Tapes
Vinyl Tape
Teflon Tape
Paper Tape
Cotton Cloth Tape
Mylar Tape
Aluminum Foil Tape
And Many More | Masking Tape
Polyethylene Tape
Nomex Tape
Acetate Cloth Tape
Glass Cloth Tape
Double Sided Tape
Soft Forming Tape |
| 5) Power Requirements | AC 120 Volt, 160 watts | |
| 6) Dimensions | 300mm width, 165mm height, 170mm depth
11.8" width, 6.5" height, 6.7" depth | |
| 7) Weight | 6.4 Lbs, (2.85 kgs) | |

Z-CUT 2 - PARTS LIST:

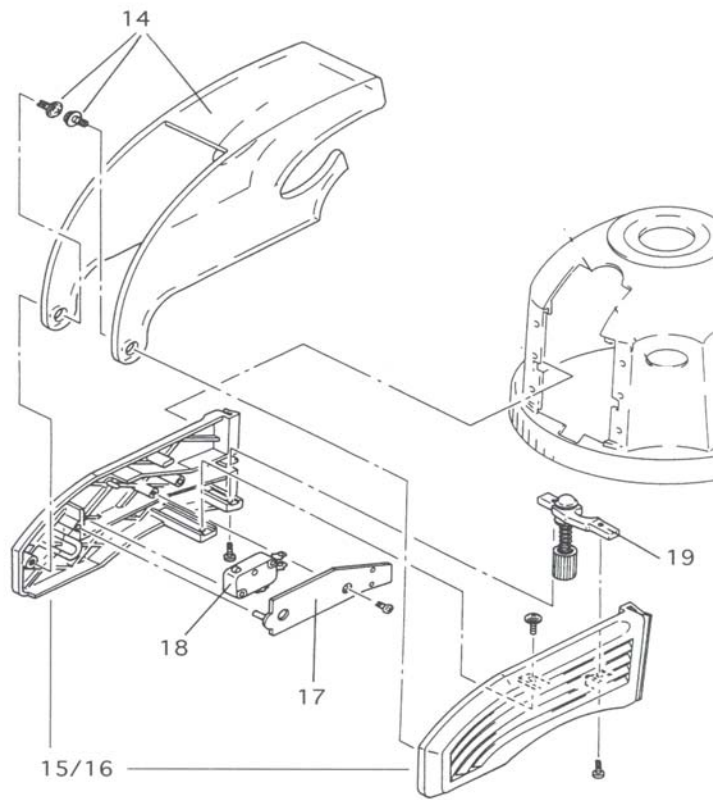
REFERENCE NUMBER	PART NUMBER	DESCRIPTION
1	725020	TURN TABLE FOR Z-CUT 2
2	725022	START SWITCH WITH BUTTON
3	725024	RATCHET BOARD AND GEAR SET
5	725026	SPLIT PLATE
6	725028	SPRING
7	725030	MICRO SWITCH LEVER WITH SCREW
9	725034	MICRO SWITCH SPRING
10	725036	SCREW (2 PC)
11	725038	BODY CASE
12	725040	MICRO SWITCH
14	725122	SAFETY COVER
15-16	725124	TAPE HOLDER SET (LEFT AND RIGHT)
17	725126	MICRO SWITCH COVER
18	725128	MICRO SWITCH
19	725130	KNOB WITH SCREW
21-24	725042	LOWER BLADE SET
25-26	725044	UPPER BLADE SET
27	725046	INWARD ARM
28	725048	SPRING AND SCREW
29	725050	TAPE BITE
30	725052	RUBBER STOPPER
31	725054	PIN (LARGE)
32	725056	PIN (SMALL)
33	725058	TAPE BITE BAR
34	725062	NUT
35	725064	A—CAM
36	725066	B—CAM
37	725068	C—CAM
38	725070	D—CAM
39	725072	E—CAM
40	725074	F—CAM
41	725076	CAM SHAFT
42	725078	ARM FRAME
43	725080	SPRING AND SCREW
44	725082	SPRING
45	725106	BASE

REFERENCE NUMBER	PART NUMBER	DESCRIPTION
46	725108	LEVER WITH SCREW
47	725110	LEVER WITH SCREW
48	725118	FUSE HOLDER
49	725120	RUBBER FOOT
50	725112	LEFT CHASSIS
51-54	725084	KNOB SET
55	725086	MOTOR CHASSIS
56	725088	LEVER WITH SCREW
57	725089	SPRING
58	725092	GEAR A WITH WASHER AND SCREW
59	725094	GEAR B
60	725096	GEAR C
61-62	725098	GEAR COVER AND SCREW ASSEMBLY
63	725100	MOTOR
64	725102	PINION GEAR
65	725104	MOTOR FAN
66	725135	TAPE SET LEVER WITH SCREW
67	725137	COIL SPRING
68	725139	LEVER
69	725136	BOBBIN GRAY ALL 3 PCS
70	725138	BOBBIN ORANGE LARGE 1 1/4"
71	725140	BOBBIN ORANGE SMALL 1"
	720318	FUSE 2.0 AMPS
	725440	ON/OFF SWITCH

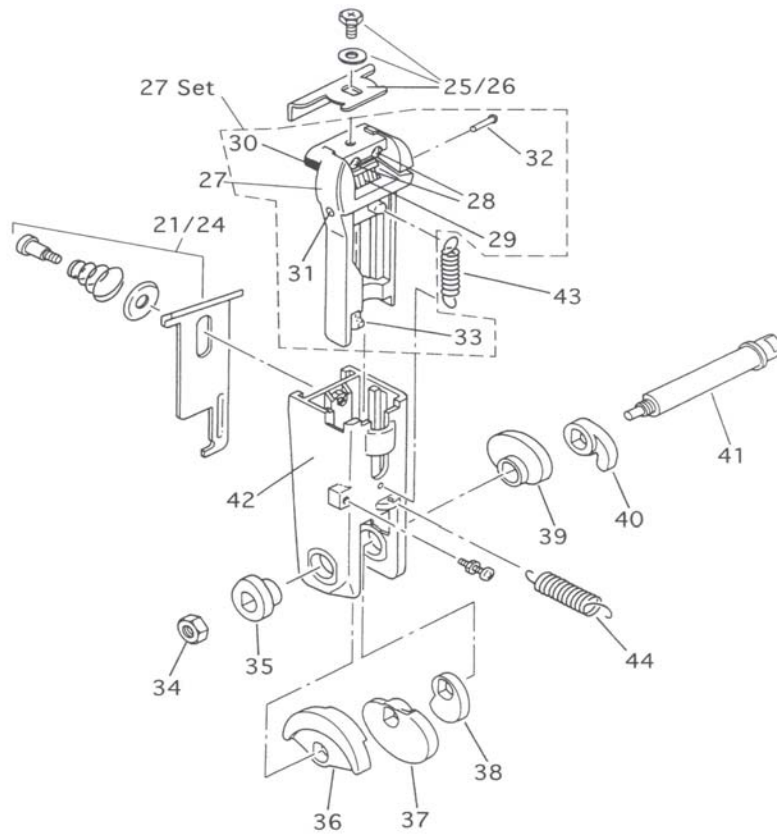
Z-CUT 2 - PARTS IDENTIFICATION:



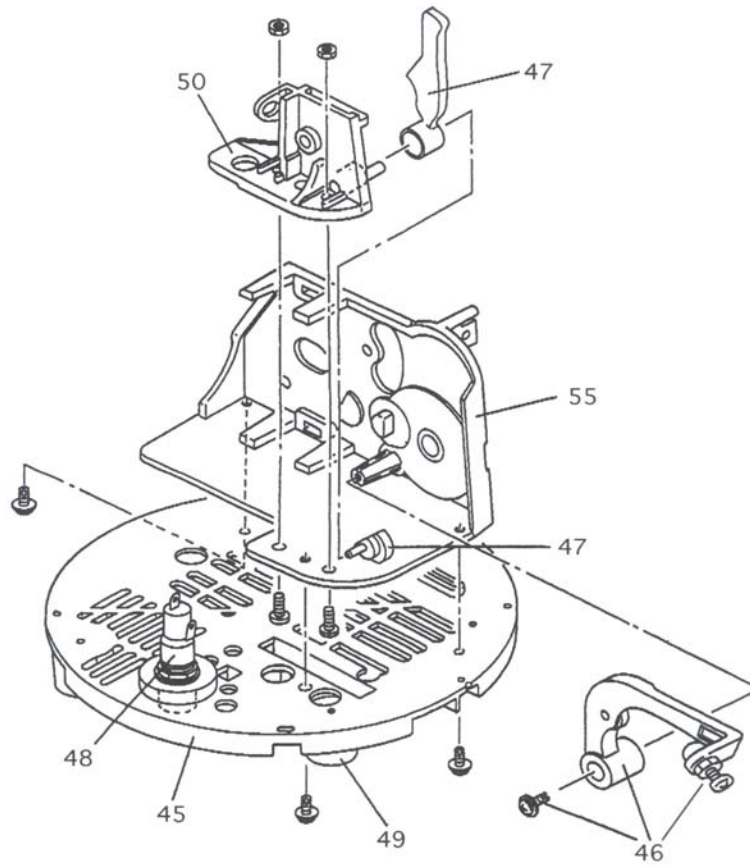
Z-CUT 2 - PARTS IDENTIFICATION CONTINUED:



Z-CUT 2 - PARTS IDENTIFICATION CONTINUED:



Z-CUT 2 - PARTS IDENTIFICATION CONTINUED:



Z-CUT 2 - PARTS IDENTIFICATION CONTINUED:

